

TYPE:

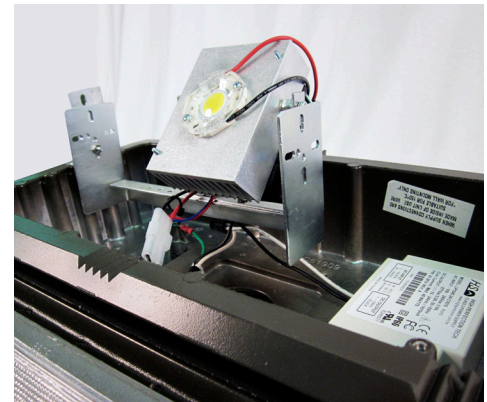
ORDERING CODE:

APPROVAL:

JOB:

DATE:

**SPECIFICATIONS**



**LED Light Engine:**

- (1) Bridgelux LED array chip
- (1) Extruded aluminum heat sink
- (1) LED holder w/ protective polycarbonate lens
- (1) Thermal interface compound
- (1) 24 VAC Air circulation fan (2,100rpm max, 34 cfm max, 26dbA max)

**Driver:** AC-to-DC constant current Class 2 power supply

**Universal Mounting Bracket:** Galvanized steel. Multiple mounting configurations allow for perfect placement in many standard housings. Swivel yoke allows for perfect aiming.

**Fasteners:** Steel, non-corrosive bright zinc plate

**Weight:** Complete package: 2.3 lb (36.8 oz)

LED Light Engine assembly w/ yoke = .90 lb (14.4 oz)

Driver = .85 lb (13.6 oz)

Main bracket = .55 lb (8.8 oz)

**Input Voltage:** 100 – 240Vac, 0.5A or 277Vac, 0.2A @ 50/60Hz

**Electrical Connection:** Hard wire into electrical, existing connection. Molex polarized 3 pin connector plugs between Light Engine and Driver

**Power Consumption:** 30 Watts (typical)

**Optical System:** Very wide flood 120° beam spread

**Initial Lumen output:** 2100 Lumen (typical)

**Typical CRI / CCT:** 65 CRI at 5600K

**Efficacy:** 70 lpw (typical)

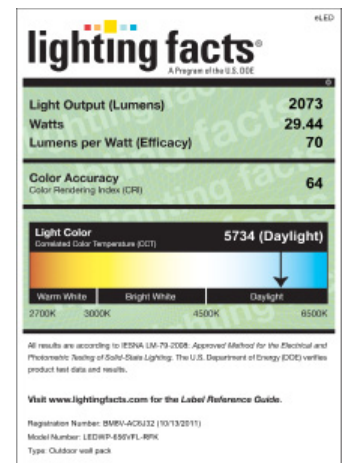
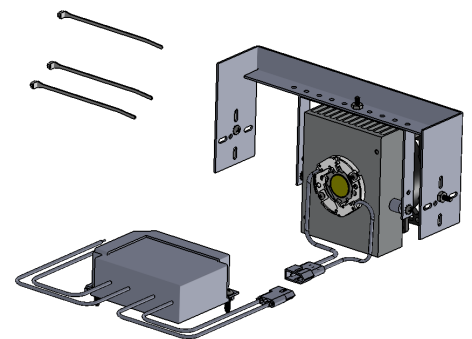
**Lamp Life:** 50,000 hours to 70% lumen maintenance

**Location / IP Rating:** dry location only. Complete installation exposure rating is dependent upon the integrity of the existing enclosure.

**ETL class:** LED retrofit class, ETL listed for North America Recognition label

**Operating Temp Range:** -20°C to 50°C

Note: drilling through the enclosure wall is not required or recommended, thus preserving the original IP / outdoor rating of the enclosure.



LED Retrofit Kit - Wallpack

Ordering Guide

Model	Color Temp	Beam Spread	Type
656	60 CRI, 5600K	VFL* 120° Beam	Retrofit Kit

TYPE:

ORDERING CODE:

APPROVAL:

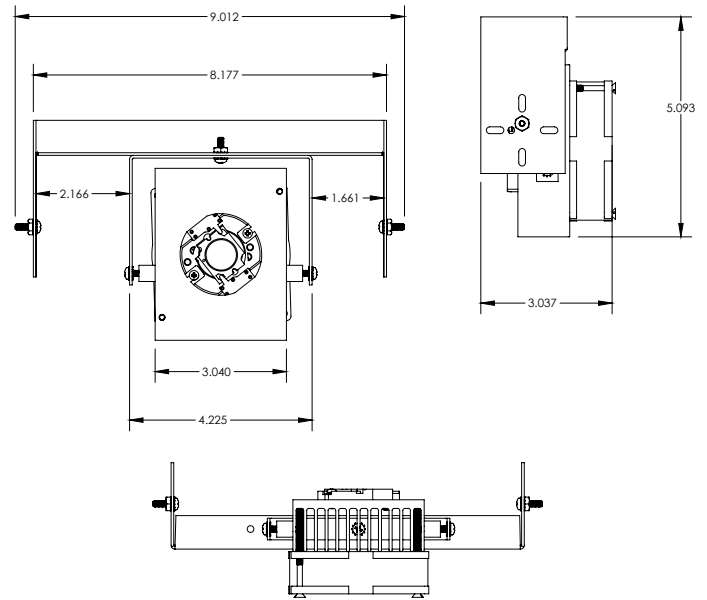
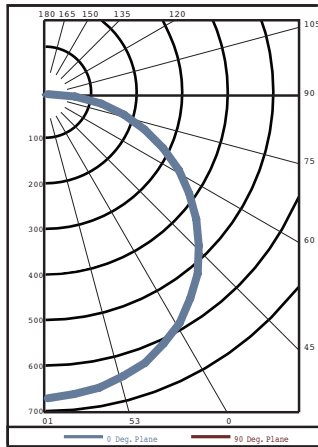
JOB:

DATE:

**SPECIFICATIONS**

**LEDWP-656VFL-RFK**

Lumen output: 2,073  
Wattage: 29  
Efficacy: 70 lpw  
Beam Spread: 120°  
CRI: 65  
CCT: 5,700 K  
CBCP: 730  
LTL test report: 24108 & 24109



Zonal Lumen Summary			
Zone	Lumens	% of Lamp	% of Luminaire
0-30	665	N/A	32%
0-40	1056	N/A	51%
0-60	1798	N/A	87%
0-90	2073	N/A	100%
90-180	0	N/A	0%
0-180	2073	N/A	100%

