

# TrackLight Family

## Impulse ED17

The Energy Focus Impulse ED17 TrackLight is an energy efficient accent fixture packed with a powerhouse of features. This ceramic metal halide lamp delivers a smooth beam pattern, offers a full 358° rotation with locking yoke and is available in several finishes. The electronic ballast is molded into the housing for optimum lamp performance, superb heat transfer and long life resulting in reductions in energy expenditures and maintenance needs - delivering measurable savings in your cost of operations.

### FEATURES

- Efficient and stylish track light solution
- Available with 15°, 30° square or 15°x30° rectangular beam spreads
- Full 358° rotation with locking yoke
- Die cast aluminum throughout with textured powder coating
- Standard in Black, White or Silver Gray with other colors available by special order
- Available with adapters for most commonly used track systems; 3 circuit track or 2 circuits/2 neutral connections
- Locks in place for best stability and easy adjustability
- UL listed for damp locations, NEMA type 1

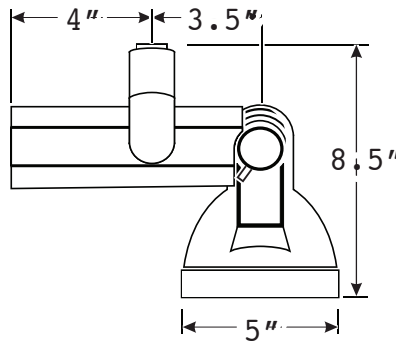
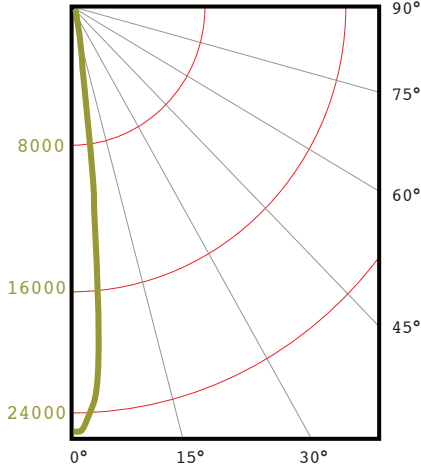


How much can you save with Energy Focus?

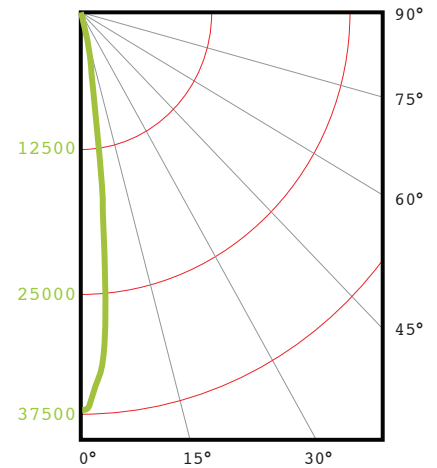
Visit [www.energyfocusinc.com](http://www.energyfocusinc.com) to use our Energy Savings Calculator



ED17 - 70 - FLOOD



ED17 - 100 - FLOOD



Our Metal Halide bulbs offer a clean crisp light that is great for safely accenting perishables and highlighting your important items. Metal Halide Lamps last five times longer than regular Incandescent bulbs and are up to three times more efficient than halogen lamps.



ED-17



**FIXTURE ORDER CODE:** *Fixtures do not include a lamp. Lamp must be ordered separately.*

**Example:** IM-E7-070-15-B-3D-S

Device Type	Lamp Type	Wattage	Beam Spread	Fixture Color	Adapter	Accessory
IM - Impulse	E7 - ED17	070 - 70 Watt 100-100 Watt	15 - 15 degrees 33 - Square 30x30 13 - Rectangular 15x30"	B - Black W - White S - Silver Gray	3D - Three circuits; 120V 3I - Three circuits; 240V 3P - Three circuits; 277V 4D - Two circuits/Two neutral; 120V 4I - Two circuits/Two neutral; 240V 4P - Two circuits/Two neutral; 277V	S - Standard Silver Reflector G - Gold Tint Reflector

**LAMP ORDER CODE:**      **Example:** IM-E7L-070-27

Device Type	Lamp Type	Wattage	CCT
IM - Impulse	E7L - ED-17	070 - 70 Watt 100-100 Watt	27 - 2700K 30 - 3000K 35 - 3500K