

TYPE:

ORDERING CODE:

APPROVAL:

JOB:

REFER TO TABLE BELOW

DATE:

SPECIFICATIONS

SYSTEM SPECIFICATIONS:

Start-up Load: 120V at 1.0 Amp
Continuous Load: 120V at 0.7 Amps
Cooling: Fanless

BALLAST SPECIFICATION:

Type: Electronic ballast
Warm-up Time: 40 seconds
Restrike Delay: 3 minutes
dB Rating: 0 dB, fanless operation
Thermal Output: 350 BTU/Hr

OPERATING ENVIRONMENT:

Max Exposure Rating: Damp location
Operating Temperature: 5°C to 45°C
Storage Temperature: -20°C to 85°C
Rec. Mounting Clearance: 12" (304mm)

POWER CONSUMPTION:

Lamp: 70 Watts
System: 80 Watts

PHYSICAL CHARACTERISTICS:

Material/Finish: Steel sheet metal, polyurethane paint - blue, injection molded fiberglass-

reinforced PBT hub - black
Dimensions: 10.96" (W) x 13.39" (L) x 6.17" (H)
Weight: 10 lbs

FIBER CAPACITY:

Port Size: 4 ports per side, 8 total per illuminator; 10mm each
Stranded Fiber: Not compatible
Large Core Fiber: Max OD 12mm; recommended type EFOFJ-12/10MM-XX with Fiberjacks connector

LAMP SPECIFICATION:

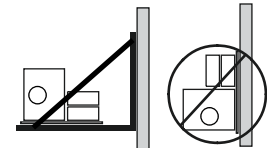
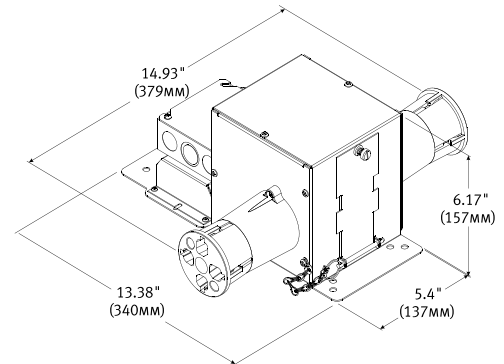
Lamp Type: Quartz Metal Halide
Wattage: 70 Watt
Bulb Type: Arc tube

ACCESSORY OPTIONS:

Single Color Chips: Amber, Apple Green, Aqua, Dark Blue, Green, Incandescent, Magenta, Medium Blue, Orange and Teal

MOUNTING:

Horizontal only; wall mount kit (EFO-WM-KIT) or caddy rails, set of 2 (EFO-CR)



	EFO 700	EFO 800
Rated Life	15,000 hrs	15,000 hrs
Lumen Maintenance	70% @ 6,000 hrs	75% @ 6,000 hrs
Color Rendering Index	75	87
Color Temp	3300k (+/- 450k)	4500k (+/- 350k)
Base Type	EFOI cage	EFOI cage
Rod Options	Order 727 (supertint) for 2700K Order 730 (tint) for 3000K	Order 830 (supertint) for 3000K Order 835 (tint) for 3500K
Replacement Lamps	EFO-700-NC-D EFO-700-SC-D*	EFO-800-NC-D

*For use only with Illuminator configured for SC option Note: Replacement lamps come assembled with door

EFO44 Illuminator

Ordering Guide

Model Options	Lamp Options	Voltage Options	Accessory Option
EFO44	727 75 CRI, 2700 K 730 75 CRI, 3000 K 735 75 CRI, 3500 K 75C 2 Ports, 2 Single Colors 830 87 CRI, 3000 K 835 87 CRI, 3500 K 841 87 CRI, 4100K	120 120V, 60Hz 240 240V, 60Hz 240I 240V, 50Hz 277 277V, 60Hz	00 Standard Hardwire Connection P Power Cord R Remote Ballast = 24" wire CR Caddy Rails, Set of 2 WM Wall Mount Kit