

# LIGHTLY EXPRESSED® LIGHT BARS

## description\_ordering guide\_specifications

light bars



### LIGHTFRAME

#### Description:

LightFrame is specially designed for edge illumination of etched and deep carved transparent panels. LightFrame provides a receiving channel to align fibers to the edge of the panel while offering all the benefits of LightBeam. LightFrame is not intended to be used as a structural support for transparent panels. These panels must be anchored independently of the LightFrame bar. Panel must be monolithic, acrylic, or high-clarity glass (not laminated, float glass, etc.) and surface etched no more than 25%. Light penetration is 12"-24".

LF							
<b>ordering guide</b>	<b>Lit Length:</b> ( ) SPECIFY INCHES	<b>Tail Length:</b> ( ) SPECIFY FEET	<b>Wash Intensity:</b> 01F 1 Fiber per inch TFO Line 02F 2 Fibers per inch TFO Line 04F 4 Fibers per inch TFO Line 05F 5 Fibers per inch EFO11 06F 6 Fibers per inch EFO11 08F 8 Fibers per inch TFO Line 10F 10 Fibers per inch EFO11 00C Custom	<b>Base Size:</b> S STANDARD (1") C COMPACT (5/8")	<b>Panel Thickness:</b> A 0.25" THICKNESS B 0.375" THICKNESS C 0.5" THICKNESS D 0.75" THICKNESS (STANDARD BASE ONLY)	<b>Finishes:</b> S STANDARD CLEAR ANODIZED B BLACK ANODIZED	<b>Tail Exit:</b> L LEFT R RIGHT C CUSTOM

#### Specifications:

**Beam Spread:** 60° UNTIL ENTERING PANEL, INTERNALLY REFLECTED

**Max Lit Lengths:** STANDARD SIZE: HIGH INTENSITY 108" (2776MM), MEDIUM AND LOW INTENSITY 120" (3084MM)  
COMPACT SIZE: HIGH INTENSITY 36" (914MM), MEDIUM INTENSITY 84" (2134MM), LOW INTENSITY 120" (3084MM)

**Sizes:** STANDARD SIZE: 1.01" W x 1.54" H (25.44MM x 39.1MM). PANEL THICKNESS: 0.25", 0.375", 0.5" OR 0.75" (6.35MM, 9.5MM, 12.7MM, 19MM)  
COMPACT SIZE: 0.65" W x 1.175" H (16.5MM x 29.8MM). PANEL THICKNESS: 0.25", 0.375" OR 0.5" (6.35MM, 9.5MM, 12.7MM)

**Mounting:** PANEL HOLDS FIXTURE; FIXTURE SHOULD NOT SUPPORT PANEL. ADHERE TO PANEL WITH CLEAR SILICONE.

**Cable Diameters:** STANDARD SIZE: 7/8" MAX  
COMPACT SIZE: 9/16" MAX

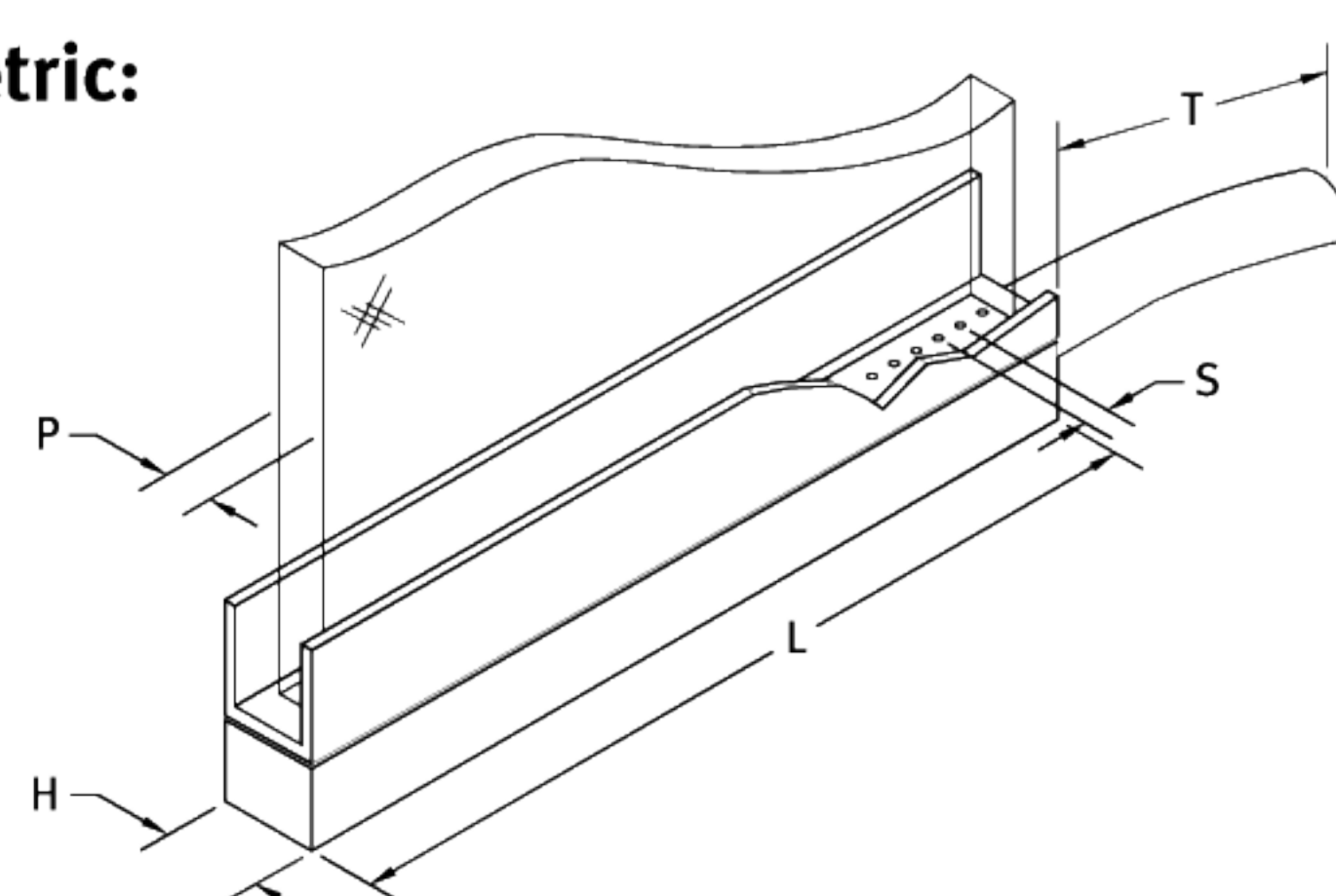
**Max Fiber Capacity:** 300 FIBERS

**Max Lamp Wattage:** 150W METAL HALIDE

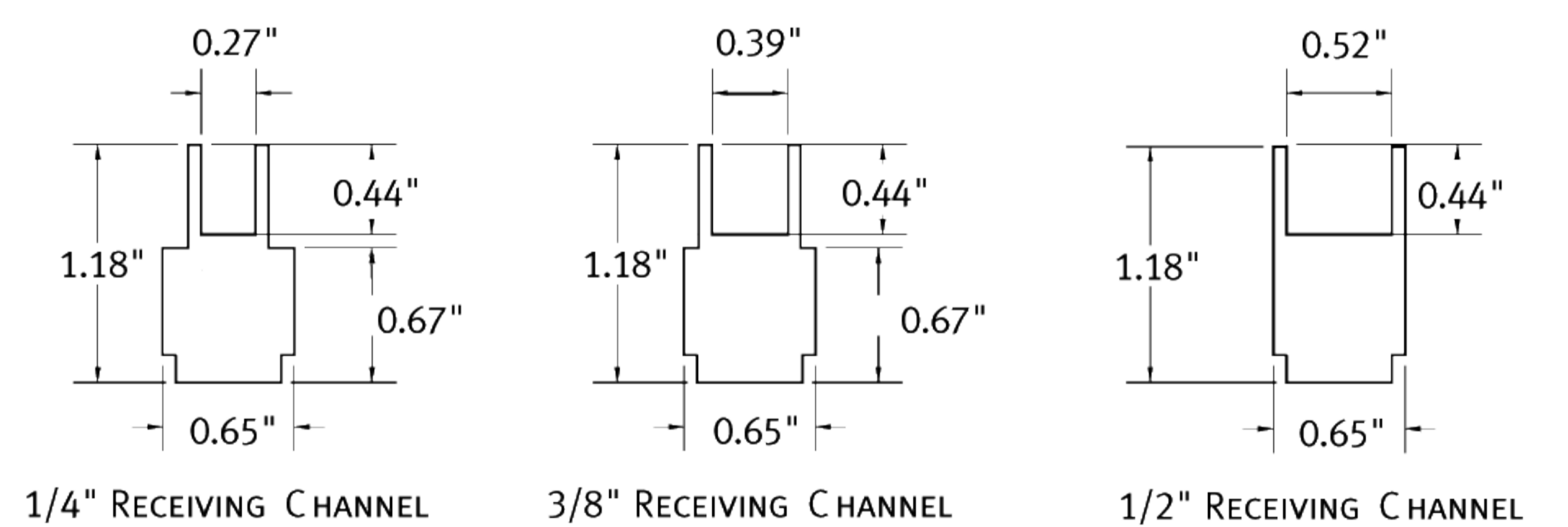
#### Isometric Key:

**H** BASE SIZE  
**L** LENGTH UP TO 120"  
**S** FIBER SPACING (0.25", 0.5", & 1")  
**T** TAIL LENGTH  
**P** PANEL THICKNESS

#### Isometric:



#### Compact Base Configurations:



#### Standard Base Configurations:

