

<b>ACCESSORIES</b>	<b>96-113</b>
Lamps	98
Color and Effects Wheels	100
Optical Ports	101
Tools and Controls	102
Mounting	103
Application Photos	105

# ACCESSORIES

Lamps • Color and Effects Wheels • Optical Ports • Tools and Controls • Mounting • Application Photos

## ACCESSORIES - Lamps

HI-075



HI-100



HI-110



HID-430



HID-440



HID-430MC



HID-440MC



HID-MR30



HID-MR40



HID-601



EFO-700-NC-D



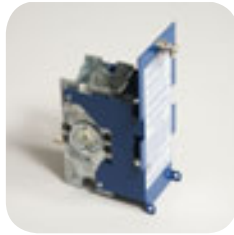
EFO-700-SC-D



EFO-800-NC-D



EFO-700-CL3-D



EFO-700-CL3-SC-D



EFO-800-CL3-D



EFO-700-NC-AAG



EFO-700-SC-AAG





EFO™ lamp with CPC™ optic

Replacement Lamps

Product Name	Lamp Type	Base Type	Lamp Wattage	CRI	CCT	Illuminator Use	Rated Life
HI-075	Quartz Halogen	MR-16, GU 5.3	71 Watt	95	3050K	FS11L	4,000 hrs
HI-100	Quartz Halogen	MR-16, GZ 6.35	100 Watt	95	3050K	FS12L, FS13L	1,500 hrs
HI-110	Quartz Halogen	MR-16, GU 5.3	183 Watt	95	3200K	FS7L	700 hrs
HID-430	Quartz Metal Halide	T-6, G-12	150 Watt	80	3000K	404N, 405N	6,000 hrs
HID-440	Quartz Metal Halide	T-6, G-12	150 Watt	80	4000K	405N, 405N	6,000 hrs
HID-430MC	Ceramic Metal Halide	T-6, G-12	150 Watt	85	3000K	404N, 405N	10,000 hrs
HID-440MC	Ceramic Metal Halide	T-6, G-12	150 Watt	95	4000K	404N, 405N	6,000 hrs
HID-MR30	Quartz Metal Halide w/ Metal Reflector	T-6, G-12	150 Watt	80	3000K	404N, 405N	6,000 hrs
HID-MR40	Quartz Metal Halide w/ Metal Reflector	T-6, G-12	150 Watt	80	4000K	404N, 405N	6,000 hrs
HID-601	Quartz Metal Halide	M4 Screw	250 Watt	70	6400K	601, 602	2,000 hrs
EFO-700-NC-D	Quartz Metal Halide	Arc Tube	70 Watt	75	3500K	EFO11, EFO44 70 CRI lamps	15,000 hrs
EFO-700-SC-D	Quartz Metal Halide	Arc Tube	70 Watt	75	Single color	EFO11, EFO44 70 CRI lamps	15,000 hrs
EFO-800-NC-D	Quartz Metal Halide	Arc Tube	70 Watt	87	4500K	EFO11, EFO44 80 CRI lamps	15,000 hrs
EFO-700-CL3-D	Quartz Metal Halide w/ Clover Leaf Reflector	Arc Tube	70 Watt	75	3500K	EFO33, 70 CRI lamps	15,000 hrs
EFO-700-CL3-SC-D	Quartz Metal Halide w/ Clover Leaf Reflector	Arc Tube	70 Watt	75	Single color	EFO33, 70 CRI lamps	15,000 hrs
EFO-800-CL3-D	Quartz Metal Halide w/ Clover Leaf Reflector	Arc Tube	70 Watt	87	4500K	EFO33, 80 CRI lamps	15,000 hrs
EFO-700-NC-AAG	Quartz Metal Halide	Arc Tube	70 Watt	75	3500K	EFO-AG, AC Ballast 70 CRI lamps	15,000 hrs
EFO-700-SC-AAG	Quartz Metal Halide	Arc Tube	70 Watt	75	Single color	EFO-AG, AC Ballast 70 CRI lamps	15,000 hrs

## ACCESSORIES - Color and Effect Wheels

PT-01C



PT-08C



PT-10C



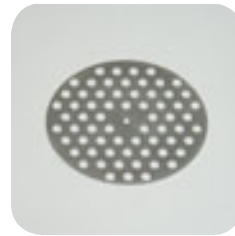
PT-11C



AG-04C



SPKWL



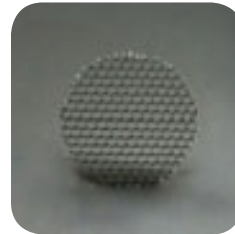
DIMWL



MBF-SOL

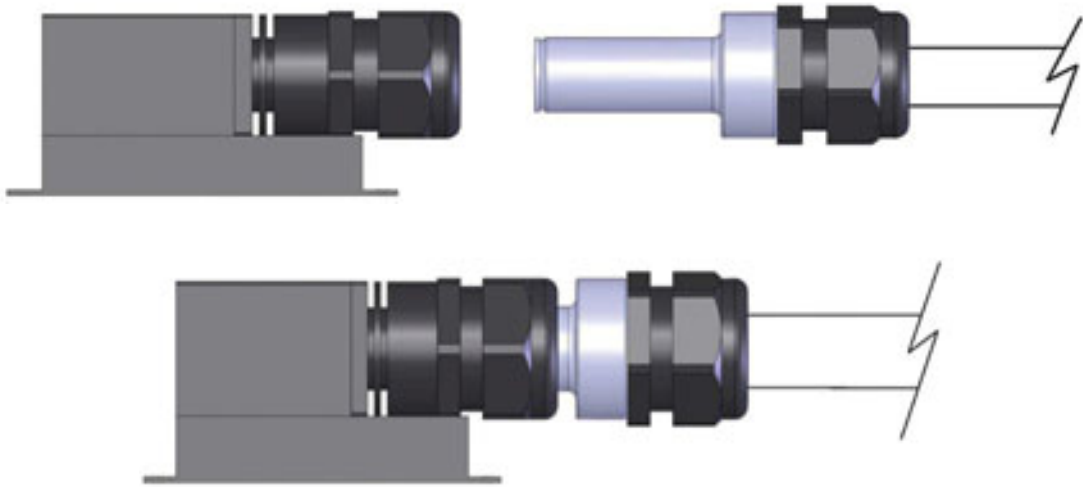


MBF-HEX



### Color and Effect Wheels

Product Name	Description	Size	Illuminator Use	Note
PT-01C	4 Color Wheel	2.000" Square	FS7L, FS11L, FS12L, 404N, 405N, 601, 602	Standard colors: Green, Magenta, Cyan, no color Motor is not included with wheels
PT-08C	8 Color Wheel	3.000" Octagon	FS7L, FS11L, FS12L, 404N, 405N, 601, 602	Standard colors: Magenta, Teal, Orange, Yellow, Cyan, Dark Blue, Green, no color Motor is not included with wheels
PT-10C	4 Color Wheel	2.800" Square	FS7L, FS11L, FS12L, 404N, 405N, 601, 602	Standard colors: Green, Magenta, Cyan, no color Motor is not included with wheels
PT-11C	8 Color Wheel	3.250" Octagon	FS7L, FS11L, FS12L, 404N, 405N, 601, 602	Standard colors: Magenta, Teal, Orange, Yellow, Cyan, Dark Blue, Green, no color Motor is not included with wheels
AG-04C	4 Color Wheel	3.625" Octagon	EFO-AG	Standard colors: Aqua, Magenta, Green, Yellow, no color. Motor is not included with wheel
SPKWL	Perforated Metal Sparkle Wheel	2.000" Square	FS7L, FS11L, FS12L, 404N, 405N, 601, 602	400 Strands Maximum. Uses the same motor as color wheel if used in conjunction
DIMWL	Perforated Metal Dimming Wheel	3.000" Octagon	FS7L, FS11L, FS12L, 404N, 405N, 601, 602	Cannot be used with a color wheel 20%, 40%, 60% and 100% Transmission
MBF-SOL	Lens Softening Filter	2.000" Round Dia x 0.125" (H) (51mm x 3mm)	EFO-MBF, EFO-MBF-F, EFO-AAL, EFO-LPS II	Must be ordered with fixtures, for use with EFO-AAL order mounting clip EFO-AAL-FC
MBF-HEX	Louver Hexagon Filter	2.000" Round Dia x 0.128" (H) (51mm x 3.25mm)	EFO-MBF, EFO-MBF-F, EFO-AAL, EFO-LPS II	Must be ordered with fixtures, for use with EFO-AAL order mounting clip EFO-AAL-FC

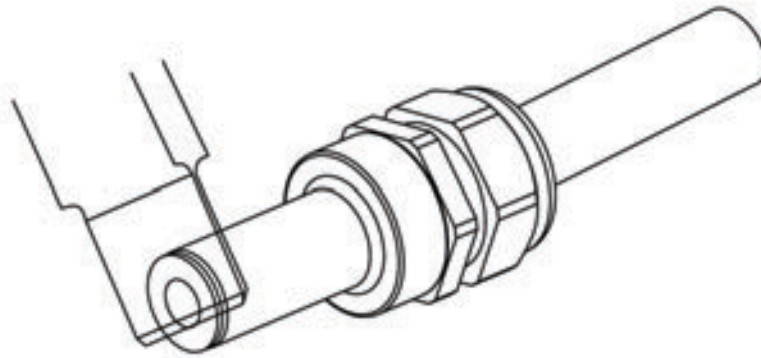


Porting for LED e-Luminator using LEPORT optical port

Optical Ports

Product Name	Description	Fiber Capacity	Illuminator use	Note
A10980	Zinc Optical Port	300 Fibers Max	FS7L, FS11L, FS12L, FS13L, 404N, 405N, 601, 602	Includes compression fitting for fiber cable
C10641-33	Zinc Port Tip Insert for use with Optical Port	400 Fibers Max	FS7L, FS11L, FS12L, FS13L, 404N, 405N, 601, 602	Use with A10980
C10641-45	Zinc Port Tip Insert for use with Optical Port	450 Fibers Max	FS7L, FS11L, FS12L, FS13L, 404N, 405N, 601, 602	Use with A10980
C10643	Zinc Port Tip Insert for use with Optical Port	600 Fibers Max	FS7L, FS11L, FS12L, FS13L, 404N, 405N, 601, 602	Use with A10980
LEPORT-12LF	Port Kit for TT Large Core Fiber	12mm large core side emitting fiber	LED e-Luminator series with 12L end cap option	For use with Fiberstars' TT Large core side emitting fiber
LEPORT-12SF	Port Kit for FSPT Stranded Fiber with Inserts	100 and 200 Fiber inserts	LED e-Luminator series with 12S end cap option	Kit comes standard with large port and 2 separate inserts
LEPORT-19SF	Port Kit for FSPT Stranded Fiber with Inserts	500 Fibers max, comes with 300 and 400 Fiber inserts	LED e-Luminator series with 19S end cap option	Kit comes standard with large port and 2 separate inserts
AG-1PK	Port Kit for FSPT Stranded Fiber with Inserts	250-300, 301-400, and 401-500 Fibers	EFO11, EFO-AG	Minimum fiber count is 250 strands
EFO-ZP	Zero Port for Covering Unused Hub	N/A	EFO11, EFO-AG	
EFO-ZFJ4	Zero Port for Covering Unused Hubs	N/A	EFO44	
EFO-ZFJ3	Zero Port for Covering Unused Hubs	N/A	EFO33	

## ACCESSORIES - Tools and Controls



Proper cutting of stranded fiber using Hot Knife

### Cutting Tools

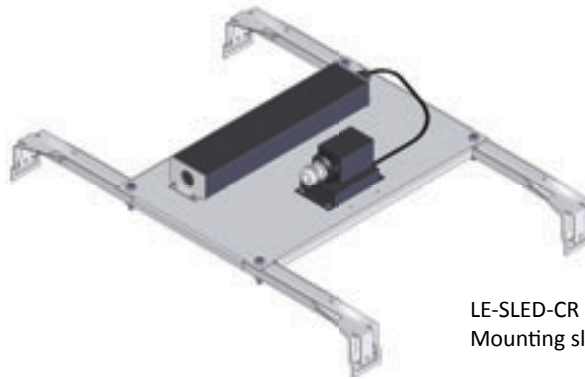
Product Name	Description	Details
FS-118	Light-Duty Hot Knife with New-Style Shovel Type Blades	60 watt electric hot knife for porting small bundles of fiber into ferrules or small port tips
FS-163	Standard Hot Knife	Butane hot knife for porting bundles of fiber into ferrules or port tips
01-15001-00	Replacement Blade	Shovel-type blades; For FS-163 and FS-118
LB-HK-3	Heavy Duty Hot Knife	Contractor grade electric hot knife for porting bundles of fiber into ferrules or port tips
LB-HK3-BLADE	Replacement Blade	For use with LB-HK-3

### Installation Tools

Product Name	Description	Details
FS-117	Lens Wrench for LNS Fixture	Used to tighten lens onto lens housing
FS-DP4	Star Ceiling Drill Bit Kit	Set of (4) bits in three sizes for use drilling through gypsum (drywall) or cellulose (ceiling tile) ceilings

### Controls

Product Name	Description	Use	Illuminator Use
CV	Variable Delay on Color	Synchronizes the movement of all color wheels for up to 100 (-SY) illuminators within a network	601, 602, 405N, 404N, FS7L
DX	DMX Control of Dowser (Dimmer Wheel and 8 Color Wheel)	DMX-512 compatible control using 3 DMX channels	601, 602, 405N, 404N, FS7L
DXLR	5-Pin XLR DMX Control of Dowser (Dimmer Wheel and 8 Color Wheel)	DMX-512 compatible control using 3 DMX channels with 5-pin XLR cable	601, 602, 405N, 404N, FS7L
SM	Synchronization Master	Synchronizes the color changes of up to 40 slave (-SY) illuminators	601, 602, 405N, 404N, FS7L
SY	Synchronization Slave	Allows an illuminator to operate on a -CV or -SM network	601, 602, 405N, 404N, FS7L
DR	Dimmable Ready	For wall-box rheostat dimmers, electronic transformer	FS13L, FS12L, FS11L
DRC	Dimmable Ready	For architectural and commercial dimmers, electronic transformer	FS13L, FS12L, FS11L
LE-RJ45-XLR3-ADPTR	3-Pin XLR DMX Adapter with RJ45 Connection	DMX-512 compatible control using 3 DMX channels with 3-pin XLR cable	LES1, LESX, LEF1, LEFX



LE-SLED-CR  
Mounting sled with caddy rails

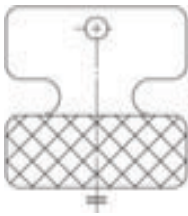
Illuminator Mounting

Product Name	Description	Size	Illuminator Use
FS-TVK-2	Ventilation Kit	36" long, flexible duct, rigid vent	FS11L, FS12L, FS13L
FS-WB	Wall Mount Bracket	0.76" (W) x 9.00" (L) x 7.70" (H)	Optional mount for 404N illuminators on a vertical wall, includes lag bolts
EFO-CR	Caddy Rails, Set of 2	2.00" (W) x 24.00" (L) x 2.13" (H)	EFO illuminators (except EFO-AG) primary mounting method for EFO-MBF, -FAW, -F, and -LPS in T-bar ceilings
AD-WM-KIT	Wall Mount Kit	7.16" (W) x 16.63" (L) x 12.38" (H)	EFO illuminators (except EFO-AG)
LE-SLED	Mounting Sled	16.00" (W) x 10.00" (L) x 2.00" (H)	LES1, LESX, LEF1, LEFX
LE-SLED-CR	Mounting Sled with caddy rails	(Sled) 16.00" (W) x 10.00" (L) x 2.00" (H) (Rails) 2.00" (W) x 24.00" (L) x 2.13" (H)	LES1, LESX, LEF1, LEFX

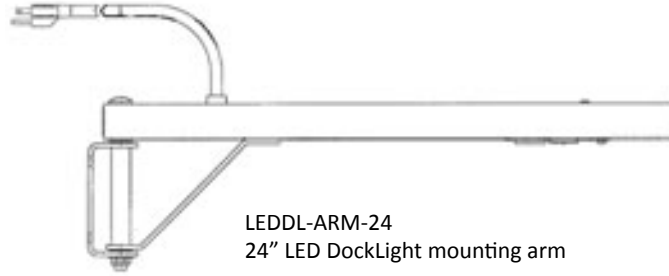
Fiber Mounting

Product Name	Description	Size	Fiber Use
TRK-5/8	PVC U-Track Extrusion	0.63" Square x 6' Long (16mm x 1.83m)	BPAK-150 cable in straight or slightly curved lines
TRK-U1/2	PVC U-Track Extrusion	0.59" Square x 6' Long (15mm x 1.83m)	BPAK-75 and BPAK-100 cable in straight or slightly curved lines
TRK-U3/8	PVC U-Track Extrusion	0.46" Square x 6' Long (11.7mm x 1.83m)	BPAK-40 and BPAK-50 cable in straight or slightly curved lines
HI-102	PVC Clips	0.48" (W) x 0.84" (L) x 0.38" (H) (12mm x 21mm x 10mm)	BPAK-15 in curved lines, securing very small FSPT
HI-103	PVC Clips	0.48" (W) x 1" (L) x 0.48" (H) (12mm x 25mm x 12mm)	BPAK-40 AND BPAK-50 in curved lines, securing small FSPT
HI-104	PVC Clips	0.48" (W) x 1.2 (L) x 0.62" (H) (12mm x 30mm x 16mm)	BPAK-75 and BPAK-100 in curved lines, securing medium FSPT
HI-105	PVC Clips	0.48" (W) x 1.2" (L) x 0.68" (H) (12mm x 30mm x 17mm)	BPAK-150 in curved lines, securing large FSPT (up to FSPT-150)
FS-131	Double-sided Tape	5/16" (W) x 165' (L) (8mm x 50m)	TEMPORARY mounting of side-emitting fiber cables use with FS-136
FS-136	Silicone Adhesive	10.3oz Tube (300 ml)	Approved for adhering side-emitting fibers and track
FS-138	Silicone Adhesive (Case)	Case of (24) 10.3oz Tubes (300 ml)	Approved for adhering side-emitting fibers and track
FS-112	Epoxy, 2-Part	1.7 fl.oz (50 ml), DP-100 clear	Use with FS-113, FS-114
FS-113	Epoxy Mixing Nozzle	0.209" (L) (5.3 mm), 12 in bag	Use with FS-112, FS-114
FS-114	Epoxy Applicator Gun	2:1 mixing gun	Use with FS-112, FS-113
FS-115	Epoxy Kit		Adhering fibers and ferrules, disposable kit

## ACCESSORIES - Mounting



LB-MB  
Lightly Expressed® mounting bracket



LEDDL-ARM-24  
24" LED DockLight mounting arm



EFO-LEDGM-FM  
LED GlobeLight mounting bracket

### Fixture Mounting

Product Name	Description	Size	Fixture Use
EFO-BFB	Butterfly Brackets, Set of 2	5.40" (W) x 3.13" (L) x 2.26"(H)	Alternate mounting for fixtures
EFO-BH	Flat Bar Hanger	25.00" (L) x 0.50" (H)	"Alternate mounting method for EFO-MBF, -FAW, -F, and -LPS in T-bar and hard ceilings
EFO-MC	Clips for Flat Bar Hanger	1.187" (W) x 1.250" (L) x 0.367" (H)	Use with EFO-BH flat bar hangers
EFO-LAS	Lift and Shift	9.57" (W) x 23.75" (L) x 3.36" (H)	Mounting for MBF type fixtures for T-Grid ceilings
EFO-AAL-FC	Spring Retainer	2.120" (OD)	EFO Fixtures to retain filters on lens
FS-910	Ground Mounting Stake	6 inch (150mm) black plastic stake	FS-210 and FS-310 into soil or similar materials
FS-912	Extension for FS-210	6 inch (150mm) black plastic ball joints	Length extension for FS-210
LB-MB	Mounting Bracket	1.25" Square (31.75mm)	Lightly Expressed LightBars; adhesive strip included
CRE2302	Spring Adaptor	1.201" (OD) x 3.150" (Spring H)	CRE Fixtures without spring clips
CRE1211	Paver Installation Tube, Small	1.299" (OD) x 4.724" (H)	Outdoor fixtures, based on size
CRE1212	Paver Installation Tube, Medium	1.677" (OD) x 4.724" (H)	Outdoor fixtures, based on size
CRE1213	Paver Installation Tube, Large	2.500" (OD) x 4.331" (H)	Outdoor fixtures, based on size
LBM061008201	Locking Nut, Bronze	M-22 Thread Nut	LBM06100820
LBM061008191	Locking Nut, V4A Stainless	M-22 Thread Nut	LBM06100819
EFO-LEDGM-FM	Flat Mount Bracket	4" (W) x 8" (L) x 0.12" (Thick) (102mm x 203mm x 3mm)	LED GlobeLights for mounting directly to surface
EFO-LEDGM-AM	Angle Mount Bracket	5.81" (L) x 4.19" (H) x 0.19" (Thick) (148mm x 106mm x 5mm)	LED GlobeLights for mounting angular from a surface
LEDDL-ARM-24	Dock Arm 24"	24", single strut, non-articulated	LED DockLight fixtures with IEC 60320-C14 plug electrical connection
LEDDL-ARM-42	Dock Arm 42"	42", single strut, articulated with elbow	LED DockLight fixtures with IEC 60320-C14 plug electrical connection
LEDDL-ARM-60	Dock Arm 60"	60", single strut, articulated with elbow	LED DockLight fixtures with IEC 60320-C14 plug electrical connection
LEDLS-SLPFTTR-NPT	Pole Top Slip fitter	2.500" (OD) x 2.250" (H) with 0.5" tapped mounting hole	LED LandScape fixtures mounting to 2 3/8" tenon. Hardware included
LEDLS-SLPFTTR-BLT	Pole Top Slip fitter w/ Mounting Plate	2.875" (OD) x 6.375" (H) with Plate 4.750" x 4.000"; double bolts	LED LandScape fixtures mounting to 2 3/8" tenon. Hardware included
LEDLS-PHTSNSR	Photo Sensor	For field installation, 0.5" pipe nipple	LED LandScape and other fixtures