

TYPE:

ORDERING CODE:

APPROVAL:

JOB:

REFER TO TABLE BELOW

DATE:

SPECIFICATIONS

SYSTEM SPECIFICATIONS:

Start-up Load: 120V at 4.0 Amps
Continuous Load: 120V at 1.8 Amps
Cooling: Fan; 77 CFM

BALLAST SPECIFICATION:

Type: Magnetic ballast
Warm-up Time: Rapid start
Restrike Delay: 3 minutes
dB Rating: 46 dB
Thermal output: 683 BTU/Hr

OPERATING ENVIRONMENT:

Max Exposure Rating: Wet location
Ambient Temperature: -10°C to 40°C
Storage Temperature: -30°C to 60°C
Rec. Mounting Clearance: 24" (609mm)

LAMP SPECIFICATION:

Lamp Type: HID Metal Halide
Wattage: 150 Watt
Bulb Type: T-6
Base Type: Bi-pin; G-12

POWER CONSUMPTION:

Lamp: 150 Watt
System: 185 Watt, maximum

PHYSICAL CHARACTERISTICS:

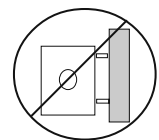
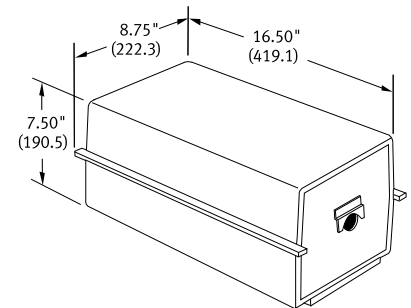
Material/Finish: Exterior grade polycarbonate; aluminum
Dimensions: 8.75" (W) x 16.50" (L) x 7.50" (H)
Weight: 18 lbs

FIBER CAPACITY:

Port Size: Standard (1.185" Dia)
Stranded Fiber: Standard 300 fiber capacity, 400, 450 and 600 fiber ports available
Large Core Fiber: Not compatible
Porting: Standard stranded pot kit (A10980)

MOUNTING:

Horizontal or vertical (port up)
Do not invert



	QMH	QMH	CMH	CMH
Manufacturer	GE	GE	Philips	Philips
Rated Life	6,000 hrs	6,000 hrs	10,000 hrs	6,000 hrs
Color Rendering Index	80	80	85	95
Color Temp	3000K	4000K	3000K	4000K
Replacement Lamps	HID-430	HID-440	HID-430MC	HID-440MC

Reflector Options: QMH lamps are available in a metal reflector (HID-MR30 and HID-MR40)

404N Illuminator

Ordering Guide

Model Options	Color Options	Voltage Options	Accessory Option
404N/30	NC No Color	120 120V, 60Hz	003 Standard 300 Fiber Capacity
404N/40	C1 Single Color	277 277V, 60Hz	004 Special 400 Fiber Capacity
404N/30MR	C4/1 Four-Color Wheel, 1 RPM	220I 220V, 50Hz	005 Special 450 Fiber Capacity (Star, white only)
404N/40MR	C4/3 Four Color Wheel, 3.6 RPM	240I 240V, 50Hz	006 Special 600 Fiber Capacity (Star, white only)
404N/30MC*	C8/1 Eight-Color Wheel, 1 RPM		SM Sync Master (C4 or C8 only)
404N/42MC*	C8/3 Eight-Color Wheel, 3.6 RPM		SY Sync Slave (C4 or C8 only)
SPW	Sparkle Wheel (400 strands max) (Add to C4 or C8 only, Not for DMX)		CV Variable Delay Controller (One per Network; Use with 3.6 RPM Motors Only)
	SPW/NC Sparkle Wheel (400 strands max) (w/motor, specify 1 or 3.6 RPM, not for DMX)		DX DMX Interface, Hardwired
* Uses Philips MasterColor Lamp	DWM/NC Dimming Wheel, Mechanical (w/motor, specify 1 or 3.6 RPM)		DXLR DMX Interface, XLR Connectors (2 motor control; C8 only, 300 fiber max)
			WB Wall Mounting Brackets