

TYPE:

ORDERING CODE:

APPROVAL:

JOB:

REFER TO TABLE BELOW

DATE:

**SPECIFICATIONS**

SYSTEM SPECIFICATIONS:

Start-up Load: 120V at 3.0 Amps  
Continuous Load: 120V at 6.0 Amps  
Cooling: Fan; 107 CFM

BALLAST SPECIFICATION:

Type: Electronic ballast  
Warm-up Time: Rapid start  
Restrike Delay: 3 minutes  
dB Rating: 50 dB  
Thermal output: 1024 BTU/Hr

OPERATING ENVIRONMENT:

Max Exposure Rating: Wet location  
Operating Temperature: 5°C to 25°C  
Storage Temperature: -20°C to 85°C  
Rec. Mounting Clearance: 24" (609mm)

LAMP SPECIFICATION:

Lamp Type: HID Metal Halide  
Wattage: 250 Watt  
Bulb Type: Arc tube in custom reflector  
Base Type: M4 screw

POWER CONSUMPTION:

Lamp: 250 Watt  
System: 300 Watt, maximum

PHYSICAL CHARACTERISTICS:

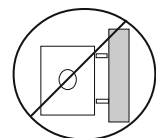
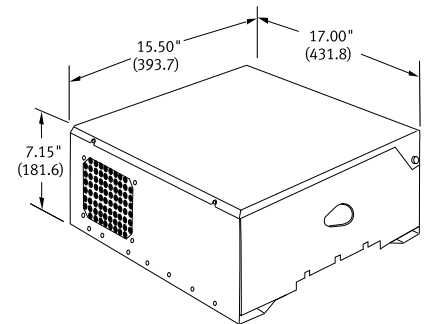
Material/Finish: Zinc plated steel, die cast zinc port  
Dimensions: 15.50" (W) x 17.00" (L) x 7.15" (H)  
Weight: 29 lbs

FIBER CAPACITY:

Port Size: Standard (1.185" Dia)  
Stranded Fiber: Standard 300 fiber capacity, 400, 450 and 600 fiber ports available  
Large Core Fiber: Not compatible  
Porting: Standard stranded port kit (A10980)

MOUNTING:

Horizontal or vertical (port right)  
Do not invert



Rated Life	2,000 hrs
Color Rendering Index	70
Color Temp	6400 K
Replacement Lamps	HID-601

**602 Illuminator**

**Ordering Guide**

Model Options	Color Options	Voltage Options	Accessory Option
602	NC No Color	120 120V, 60Hz	003 Standard 300 Fiber Capacity
C1	Single Color 240	240V, 60Hz	004 Special 400 Fiber Capacity
C4/1	Four-Color Wheel, 1 RPM	220I 220V, 50Hz	005 Special 450 Fiber Capacity (Star, white only)
C4/3	Four Color Wheel, 3.6 RPM		006 Special 450 Fiber Capacity (Star, white only)
C8/1	Eight-Color Wheel, 1 RPM		SM Sync Master (C4 or C8 only)
C8/3	Eight-Color Wheel, 3.6 RPM		SY Sync Slave (C4 or C8 only)
SPW	Sparkle Wheel (400 strands max) (C4 or C8 only, not for DMX)		CV Variable Delay Controller (One per Network; Use with 3.6 RPM Motors Only)
SPW/NC	Sparkle Wheel (400 strands max) (w/motor, specify 1 or 3.6 RPM, Not for DMX)		DX DMX Interface, Hardwired (300 fiber max) (2 Motor Control; C8 Only)
DWM/NC	Dimming Wheel, Mechanical (w/motor, specify 1 or 3.6 RPM)		DXLR DMX Interface, XLR Connectors (300 fiber max) (2 Motor Control; C8 Only)