

TYPE:

ORDERING CODE:

APPROVAL:

JOB:

REFER TO TABLE BELOW

DATE:

SPECIFICATIONS

SYSTEM SPECIFICATIONS:

Start-up Load: 120V at 1.0 Amp
Continuous Load: 120V at 1.0 Amp
Cooling: Fan; 95 CFM

BALLAST SPECIFICATION:

Type: Electronic ballast
Warm-up Time: Instant on
Restrike Delay: Instant on
dB Rating: 44 dB
Thermal Output: 385 BTU/Hr

OPERATING ENVIRONMENT:

Max Exposure Rating: Damp location
Operating Temperature: 0°C to 30°C
Storage Temperature: -20°C to 85°C
Rec. Mounting Clearance: 24" (609mm)

POWER CONSUMPTION:

Lamp: 100 Watt
System: 125 Watt, maximum

LAMP SPECIFICATION:

Lamp Type: Quartz Halogen
Wattage: 100 Watt
Bulb Type: MR-16
Base Type: GZ6.35

PHYSICAL CHARACTERISTICS:

Material/Finish: Polycarbonate,
die cast zinc port
Dimensions: 7.42" (W) x 8.50" (L) x 5.75" (H)
Weight: 3.8 lbs

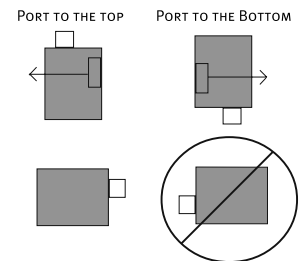
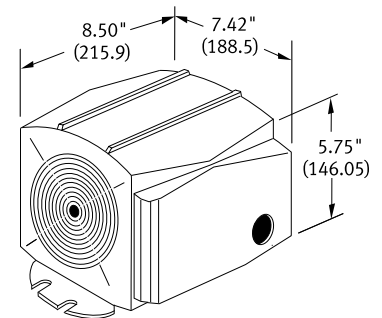
FIBER CAPACITY:

Port Size: Standard (1.185" Dia)
Stranded Fiber: Standard 300 fiber capacity,
400, 450 and 600 fiber ports available
Large Core Fiber: Not compatible
Porting: Standard stranded port kit (A10980)

MOUNTING:

Horizontal or vertical
(port up/port down)
Do not invert

Rated Life	1,500 hrs
Color Rendering Index	95
Color Temp	3050 K
Replacement Lamp	HI-100



FS12 Illuminator

Ordering Guide

Model Options	Color Options	Voltage Options	Accessory Option
FS12	NC No Color	120 120V, 60Hz	003 Standard 300 Fiber Capacity
C1	Single Color 230I	230V, 50Hz	004 Special 400 Fiber Capacity
C4/1	Four-Color Wheel, 1 RPM	240I 240V, 50Hz	005 Special 450 Fiber Capacity (Star, white only)
C4/3	Four Color Wheel, 3.6 RPM		006 Special 600 Fiber Capacity (Star, white only)
C8/1	Eight-Color Wheel, 1 RPM		PS Plug and Switches
C8/3	Eight-Color Wheel, 3.6 RPM		(Not available with DR or DRC Option)
SPW	Sparkle Wheel (400 strands max)		DR Dimmable Ready
	(Add to C4 or C8 only)		(Consumer-grade Residential Electronic Dimmer)
SPW/NC	Sparkle Wheel (400 strands max)		DRC Dimmable Ready
	(w/motor, specify 1 or 3.6 RPM)		(Commercial-grade Architectural Electronic Dimmer)
DWM/NC	Dimming Wheel, Mechanical		FS-TVK2 Ventilation Kit
	(w/motor, specify 1 or 3.6 RPM)		