

TYPE:

ORDERING CODE:

APPROVAL:

JOB:

REFER TO TABLE BELOW

DATE:

SPECIFICATIONS

SYSTEM SPECIFICATIONS:

Start-up Load: 120V at 2.0 Amps
Continuous Load: 120V at 2.0 Amps
Cooling: Fan; 50 CFM

BALLAST SPECIFICATION:

Type: Electronic ballast
Warm-up Time: Instant on
Restrike Delay: Instant on
dB Rating: 42 dB
Thermal output: 625 BTU/Hr

OPERATING ENVIRONMENT:

Max Exposure Rating: Dry location
Operating Temperature: -10°C to 25°C
Storage Temperature: -30°C to 60°C
Rec. Mounting Clearance: 24" (609mm)

POWER CONSUMPTION:

Lamp: 183 Watt
System: 200 Watt, maximum

LAMP SPECIFICATION:

Lamp Type: Quartz Halogen
Wattage: 183 Watt
Bulb Type: MR-16
Base Type: 2-pin Gx5.3

PHYSICAL CHARACTERISTICS:

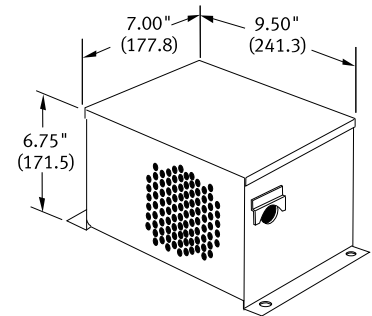
Material/Finish: Aluminum, die cast zinc
Dimensions: 7.00" (W) x 9.50" (L) x 6.75" (H)
Weight: 5 lbs

FIBER CAPACITY:

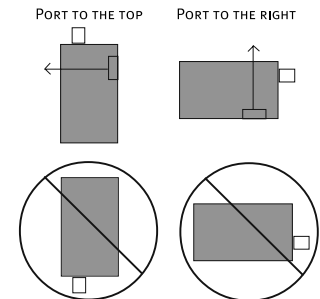
Port Size: Standard (1.185" Dia)
Stranded Fiber: Standard 300 fiber capacity, 400, 450 and 600 fiber ports available
Large Core Fiber: Not compatible
Porting: Standard port kit (A10980)

MOUNTING:

Horizontal or vertical
(port up/port down)
Do not invert



Rated Life	700 hrs
Color Rendering Index	95
Color Temp	3200 K
Replacement Lamp	HI-110



FS7L Illuminator

Ordering Guide

Model Options	Color Options	Voltage Options	Accessory Option
FS7L	NC No Color C1 Single Color C4/1 Four-Color Wheel, 1 RPM C4/3 Four Color Wheel, 3.6 RPM C8/1 Eight-Color Wheel, 1 RPM C8/3 Eight-Color Wheel, 3.6 RPM SPW Sparkle Wheel (400 strands max) (Add to C4 or C8 only) SPW/NC Sparkle Wheel (400 strands max) (w/motor, specify 1 or 3.6 RPM) DWM/NC Dimming Wheel, Mechanical (w/motor, specify 1 or 3.6 RPM)	120 120V, 60Hz 230I 230V, 50Hz	003 Standard 300 Fiber Capacity 004 Special 400 Fiber Capacity 005 Special 450 Fiber Capacity (Star, white only) 006 Special 600 Fiber Capacity (Star, white only) DR Dimmable Ready (Consumer-grade Residential Electronic Dimmer) DRC Dimmable Ready (Commercial-grade Architectural Electronic Dimmer)