

TYPE:

ORDERING CODE:

APPROVAL:

JOB:

DATE:

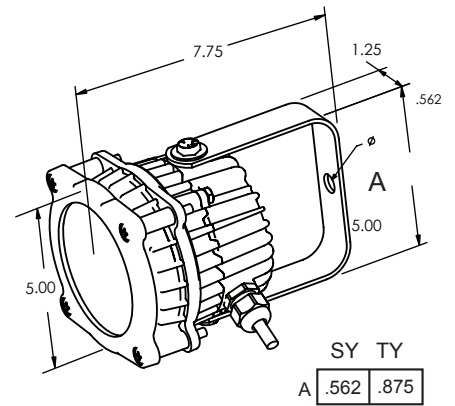
SPECIFICATIONS



- Housing:** Die cast aluminum for thermal management
- Swivel:** Friction joint to allow for 270° angle adjustment
- Lens:** Impact resistant, optically clear acrylic lens with silicone gasket
- Finish:** Safety yellow TGIC polyester powder coat paint
- Fasteners:** Steel, non-corrosive bright zinc plate
- Weight:** 4.8 lbs.
- Input Voltage:** 100-240,277 Volts, 50-60 Hz
- Power Cord:**
 - PNS:** 10' cord, std. male plug (Nema 5-15) wet rated
 - PIS:** 10' cord, hooded male plug (IEC 60320-C14 plug) wet rated
 - SNS:** Switched 10' cord, std. male plug (Nema 5-15) damp rated
 - SIA:** Switched 16" cord, hooded male plug (IEC 60320-C14) damp rated
 - HWS:** 10' cord, hardwire leads, wet rated
- Power Consumption:** 15 Watts (typical)
- Power Factor:** > 0.95
- Driver:** Constant current electronic driver
- Optical System:** 5 Cree™ high intensity LED emitters with custom focusing options,
12° and 32° beam spreads available
- Lamp Life:** 50,000 hours to 70% lumen maintenance
- UL / IP Rating:** wet locations / IP 65, NEMA3 compliant
- Operating Temp Range:** -20°C to 45°C



Protected by Patent # USD0587833



LED DockLight

Ordering Guide

Model	Color Temp	Beam Spread	Size	Electrical Connection	Mount/Finish
LEDDL	765 75 CRI, 6500K	NSP 12° Beam NFL 32° Beam SFL 12° Center/ 32° Outer	15 Small Fixture 15Watt	PNS 10' cord, std. male plug (Nema 5-15) wet rated PIS 10' cord, hooded male plug (IEC 60320-C14 plug) wet rated SNS Switched 10' cord, std. male plug (Nema 5-15) damp rated SIA Switched 16" cord, hooded male plug (IEC 60320-C14) damp rated HWS 10' cord, hardwire leads wet rated	SY Standard Arm Mount; Yellow

TYPE:

ORDERING CODE:

APPROVAL:

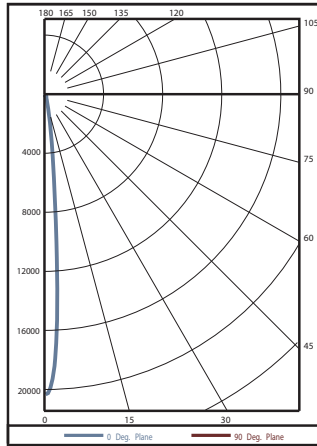
JOB:

DATE:

SPECIFICATIONS

LEDDL-765-NSP-15

Lumen output: 733
Wattage: 12.9
Efficacy: 57.0 lpw
Beam Spread: 12°
CRI: 72
CCT: 5880 K
CBCP: 20159
LTL Report: 18788, 18789



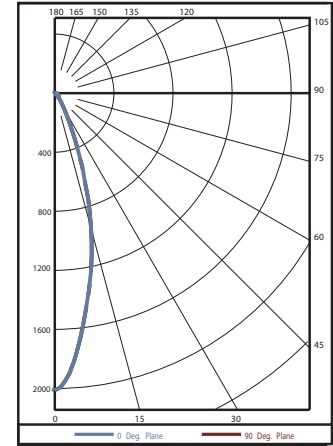
Zonal Lumen Summary

Zone	Lumens	% of Lamp	% of Luminaire
0-30	668.1	N/A	91.1%
0-40	687.6	N/A	93.8%
0-60	721.6	N/A	98.4%
0-90	733.1	N/A	100.0%
90-180	0.0	N/A	0.0%
0-180	733.1	N/A	100.0%

Testing was performed in accordance with IES LM-79-08 in a caliper certified laboratory

LEDDL-765-NFL-15

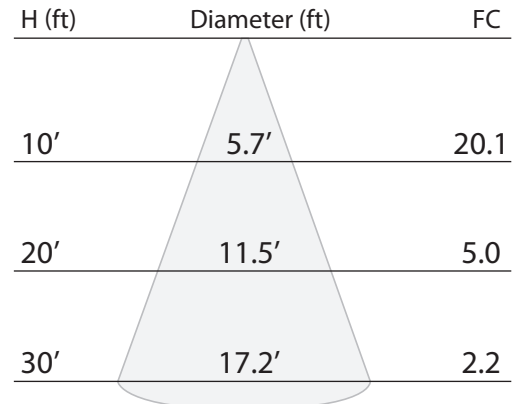
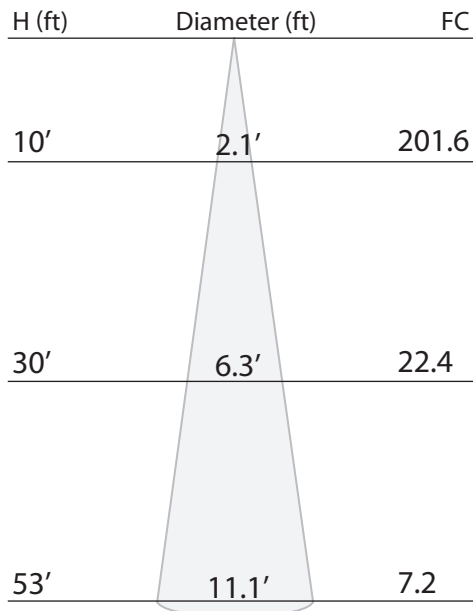
Lumen output: 657
Wattage: 14.5
Efficacy: 45.2 lpw
Beam Spread: 32°
CRI: 72
CCT: 6000 K
CBCP: 2012
LTL Report: 15517



Zonal Lumen Summary

Zone	Lumens	% of Lamp	% of Luminaire
0-30	539.7	N/A	82.1%
0-40	586.8	N/A	89.3%
0-60	635.3	N/A	96.6%
0-90	657.4	N/A	100.0%
90-180	0.0	N/A	0.0%
0-180	657.4	N/A	100.0%

Testing was performed in accordance with IES LM-79-08 in a caliper certified laboratory



TYPE:
JOB:

ORDERING CODE:

APPROVAL:
DATE:

SPECIFICATIONS

Arm: 1 1/2" square steel tube arms with wrist-action zinc plated steel joint on 42" and 60" single-strut arms. Washers at all joints and bushings at bracket joints for smooth operations, greater stability and longer wear.

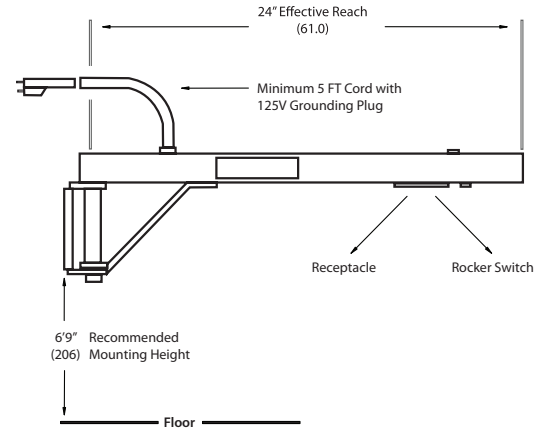
Finish: Safety yellow for maximum visibility; thermoset powder coat paint.

Mounting Bracket: 3/16" thick 3" X 5" zinc plated- steel mounting bracket.

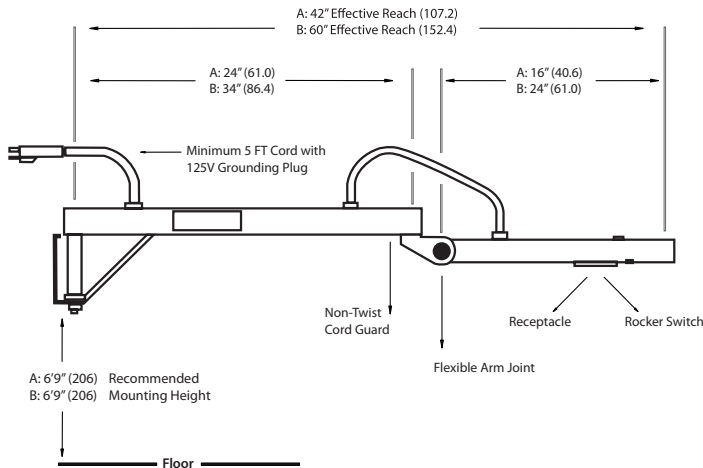
Cords: Wear-resistant 3-conductor AC cord from arm, fits directly into standard outlet. Hooded male plug on light head cord plugs into female receptacle in arm.

Switch: On-Off rocker switch and IEC type receptacle.

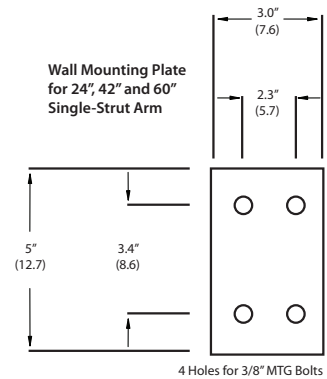
24" Arm



**42" Arm
60" Arm**



Mounting



LED DockLight Arm

Ordering Guide

Model	Type	Arm
LEDDL	ARM	24 Arm length 24" 42 Arm length 42", Articulated 60 Arm length 60", Articulated

* Arm needs to be ordered with PIS or SIA electrical connection