

TYPE:

ORDERING CODE:

APPROVAL:

JOB:

DATE:

SPECIFICATIONS

Housing and Lens Frame: Die cast aluminum for thermal management

Lens: Tempered Glass

Finish: TGIC thermoplastic polyester powder coat paint (white, black, aluminum)

Fasteners: Stainless Steel, non-corrosive

Weight: 8lbs. (Flat mount version)

Input Voltage: 100-240, 277 VAC, 50-60 Hz

Power Factor: >.90

Wiring: Hard wired / Through wire rated

Knock-out: 1/2-14 NPT thread Gage NPT L1 + 1/-0 turns

Power Consumption: 15 Watts (typical)

Driver: Constant current electronic driver

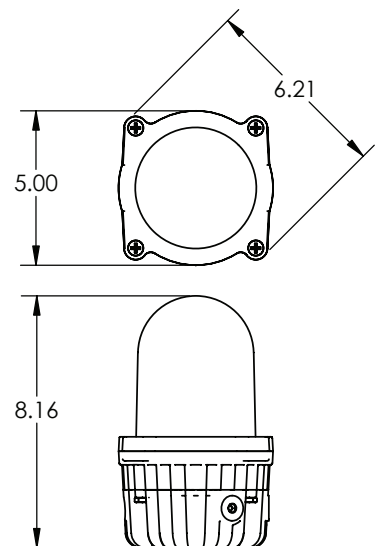
Optical System: 5 Cree™ high intensity LED emitters

Lamp Life: 50,000 hours to 70% lumen maintenance

UL/IP Rating: NEMA 3, wet locations / IP 67 compliant through wire

Operating Temp Range: -35°C to 45°C

Color: White, Black



LED GlobeLight - Small

Ordering Guide

Series	Model	Watts	Color
EFO	LEDSG Small GlobeLight	015 15 Watts	01 Black 02 White

TYPE:

ORDERING CODE:

APPROVAL:

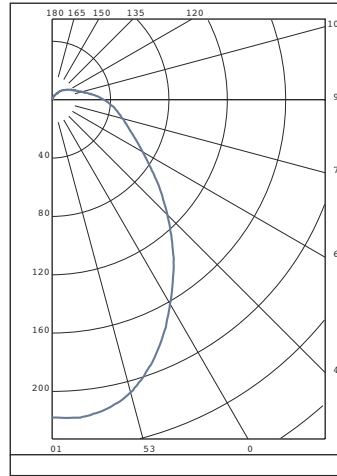
JOB:

DATE:

SPECIFICATIONS

EFO-LEDSG-015

Lumen output: 665
Wattage: 14.04
Efficacy: 47LpW
Beam Spread: 110°
CRI: >75
CCT: 6500 K
CBCP: 220
Weight: 8 lbs.
 LTL Test Report # 14016



ZONE	LUMENS	% OF LUMINAIRE
0-30	161	24.28
0-40	252	37.90
0-60	413	62.09
0-90	572	86.07
90-180	93	13.93
0-180	665	100.00

Testing was performed in accordance with IES LM-79-08 in a caliper certified laboratory

H (ft)	Diameter (ft)	FC
8'	16.9'	4.3
10'	21.1'	2.7
12'	25.3'	1.9
15'	31.6'	1.2

TYPE:

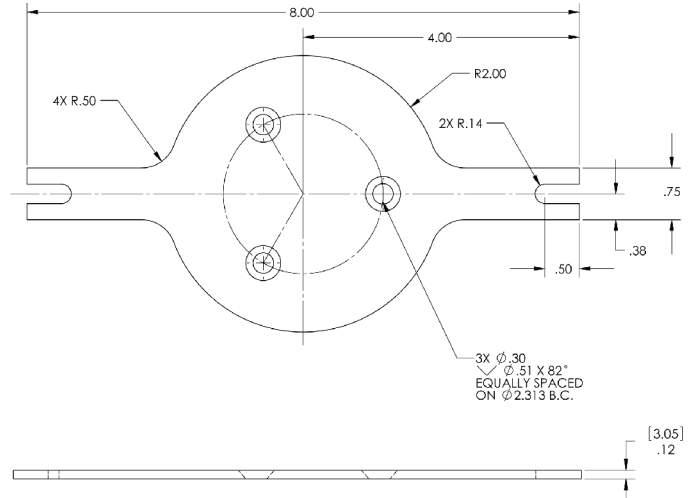
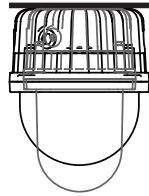
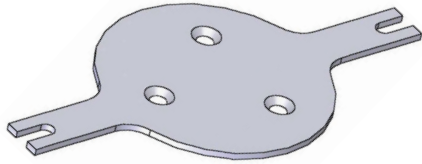
ORDERING CODE:

APPROVAL:

JOB:

DATE:

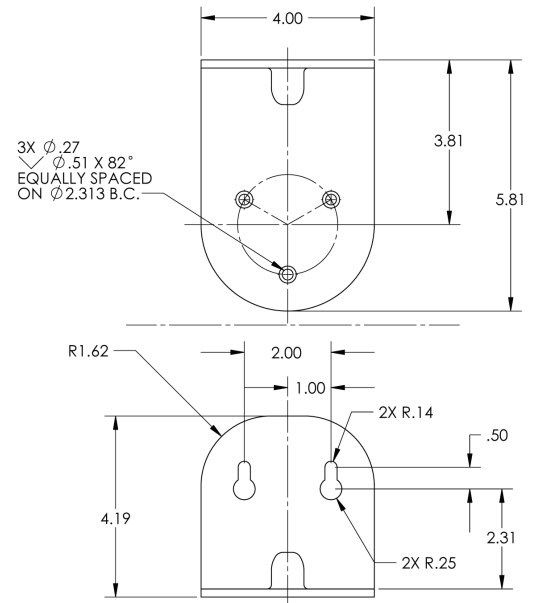
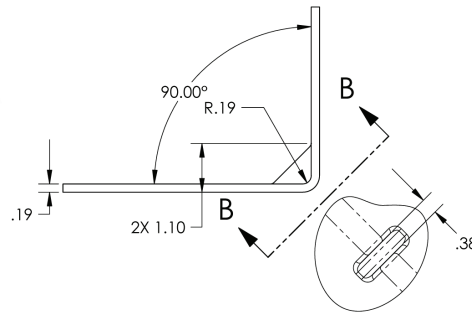
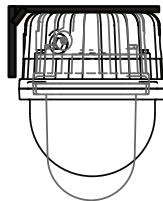
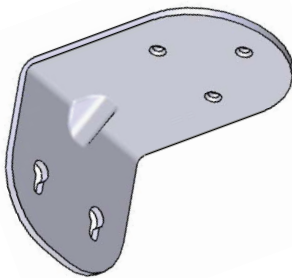
FLAT MOUNT Included



Bracket: Aluminum 5052-H32
(non-corrosive)
0.120" thick

Screw: 1/4-20 x 0.625
Stainless Steel Machine Screw
Plain Finish

ANGLE MOUNT Separate



Bracket: Aluminum 5052-H32
(non-corrosive)
0.120" thick

Screw: 1/4-20 x 0.625
Stainless Steel Machine Screw
Plain Finish