

TYPE:

ORDERING CODE:

APPROVAL:

JOB:

DATE:

SPECIFICATIONS

Housing and Lens Frame: Die cast aluminum for thermal management

Lens: Tempered Glass

Cage: 0.125" dia Wire; 304 stainless steel

Finish: TGIC thermoplastic polyester powder coat paint (white, black)

Fasteners: Stainless Steel, non-corrosive

Weight: 8lbs. (Flat mount version)

Input Voltage: 100-240, 277 VAC, 50-60 Hz

Power Factor: >.90

Wiring: Hard wired / Through wire rated

Knock-out: 1/2-14 NPT thread Gage NPT L1 + 1/-0 turns

Power Consumption: 15 Watts (typical)

Driver: Constant current electronic driver

Optical System: 5 Cree™ high intensity LED emitters

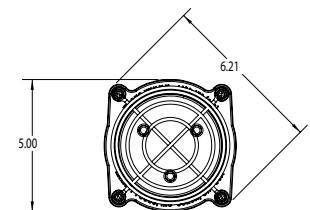
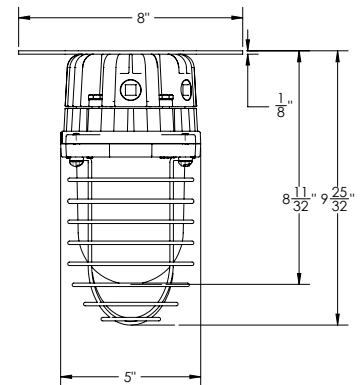
Lamp Life: 50,000 hours to 70% lumen maintenance

UL/IP Rating: UL 1598

- UL844 listed, Class 1, Division 2; All Groups; T5 Temperature code
- Class 2, Division 1 & 2, All Groups, T6 Temperature code
- Class 3, All fibers and flyings
- UL wet location listed, NEMA Type 6 compliant

Operating Temp Range: -35°C to 45°C

Color: White, Black



LED HazGlobe

Ordering Guide

Model	Color Temp	Size	Rating	Mounting Configuration	Color
LEDGL	765 75 CRI, 6500K	15 Small Fixture 15 Watts	HAZ Hazardous location, Class I Div II	01 Flat Mount 02 Trunnion/Pendant Mount	WT White BK Gloss Black

TYPE:

ORDERING CODE:

APPROVAL:

JOB:

DATE:

SPECIFICATIONS

LEDGL-765-15-HAZ

Lumen output: 705

Wattage: 15

Efficacy: 47LpW

Beam Spread: 110°

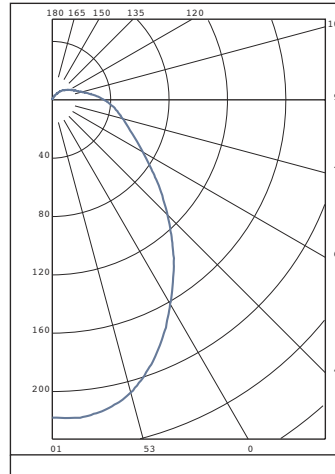
CRI: >75

CCT: 6500 K

CBCP: 220

Weight: 8 lbs.

LTL Test Report # 14016



ZONE	LUMENS	% OF LUMINAIRE
0-30	161	24.28
0-40	252	37.90
0-60	413	62.09
0-90	572	86.07
90-180	93	13.93
0-180	665	100.00

Testing was performed in accordance with IES LM-79-08 in a caliper certified laboratory

H (ft)	Diameter (ft)	FC
8'	16.9'	4.3
10'	21.1'	2.7
12'	25.3'	1.9
15'	31.6'	1.2

TYPE:

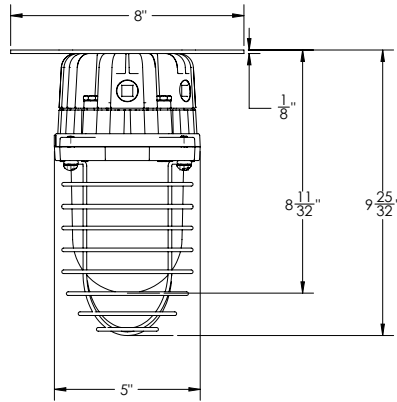
ORDERING CODE:

APPROVAL:

JOB:

DATE:

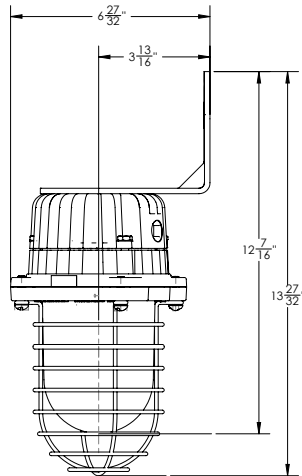
MOUNTING



FLAT MOUNTING BRACKET FOR 01 FLAT MOUNT GLOBE

MATERIALS:
Aluminum 5052-H32
(non-corrosive)
0.120" thick

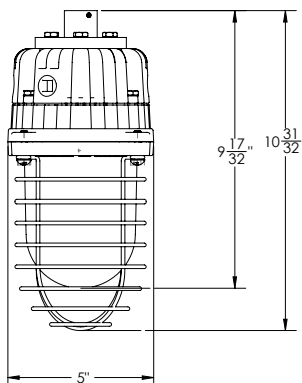
FASTENER:
1/4-20 x 0.625 Stainless
Steel Machine Screw
Plain Finish



ANGLE MOUNTING BRACKET FOR 01 FLAT MOUNT GLOBE

MATERIALS:
Aluminum 5052-H32
(non-corrosive)
0.120" thick

FASTENER:
1/4-20 x 0.625 Stainless
Steel Machine Screw
Plain Finish



PENDANT MOUNT 02

MATERIALS:
Aluminum 6061
(non-corrosive)

THREAD:
1/2-14 NPT thread
Gage NPT L1 +1/-0 turns