

TYPE:

ORDERING CODE:

APPROVAL:

JOB:

DATE:

SPECIFICATIONS

Housing: Die cast aluminum for thermal management

Lens: Impact resistant, optically clear acrylic Lens with silicone gasket

Swivel: Friction joint to allow for 180° angle adjustment

Finish: Architectural Bronze or black powder coat paint

Fasteners: Steel, non-corrosive bright zinc plate

Weight: 4.8 lbs

Input Voltage: 100-240,277 Volts, 50-60 Hz

Electrical Connection: Hard wire with or without cord (6')

Power Consumption: 15 Watts (typical)

Driver: Constant current electronic driver

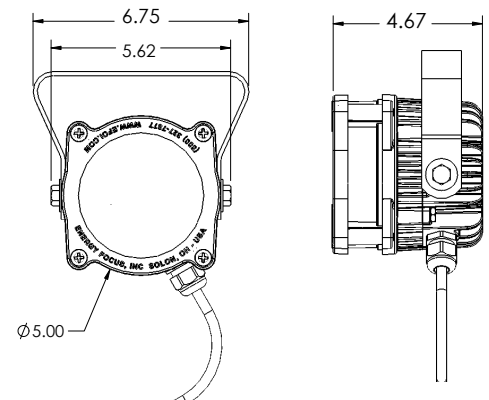
Optical System: 5 Cree™ high intensity LED emitters with custom focusing optics

CRI / CCT: 75CRI at 6500K or 80 CRI at 3500K

Lamp Life: 50,000 hours to 70% lumen maintenance

UL / IP Rating: wet locations / IP 65, NEMA3 compliant

Operating Temp Range: -20°C to 45°C



| Model | Color Temp | Beam Spread | Size | Electrical Connection | Color |
|--------------|--|---|--|---|---|
| LEDLS | 765 75 CRI, 6500K 835 80 CRI, 3500K | NSP 12° Beam SPT 16° Beam NFL 32° Beam VFL 120° Beam | 15 Small Fixture 15Watt 26 Large Fixture 26Watt | HWC Cord, hardwire leads HWD Direct hardwire | AB Architectural Bronze BK Gloss Black |

TYPE:

ORDERING CODE:

APPROVAL:

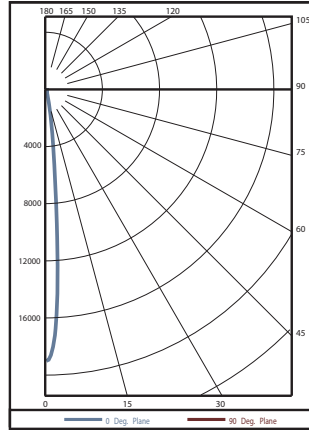
JOB:

DATE:

SPECIFICATIONS

LEDLS-765-NSP-15

Lumen output: 740
Wattage: 14
Efficacy: 51.17 lpw
Beam Spread: 12°
CRI: 75
CCT: 6500 K
CBCP: 18,735
LTL Test Report# 15515



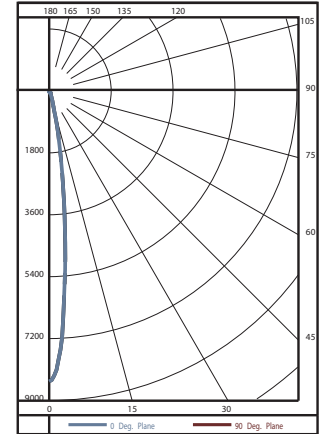
Zonal Lumen Summary

| Zone | Lumens | % of Lamp | % of Luminaire |
|--------|--------|-----------|----------------|
| 0-30 | 677.1 | N/A | 91.5% |
| 0-40 | 695.7 | N/A | 94.0% |
| 0-60 | 728.8 | N/A | 98.4% |
| 0-90 | 740.4 | N/A | 100.0% |
| 90-180 | 0.0 | N/A | 0.0% |
| 0-180 | 740.4 | N/A | 100.0% |

Testing was performed in accordance with IES LM-79-08 in a caliper certified laboratory

LEDLS-765-SPT-15

Lumen output: 695
Wattage: 14
Efficacy: 48.11lpw
Beam Spread: 16°
CRI: 75
CCT: 6500 K
CBCP: 8,448
LTL Test Report# 15516



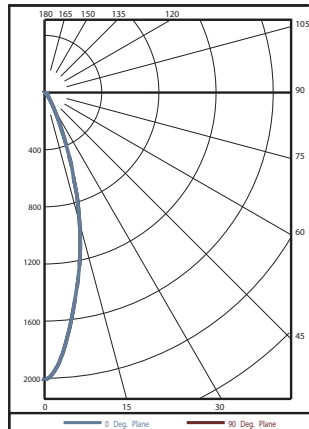
Zonal Lumen Summary

| Zone | Lumens | % of Lamp | % of Luminaire |
|--------|--------|-----------|----------------|
| 0-30 | 614.3 | N/A | 88.4% |
| 0-40 | 641.4 | N/A | 92.3% |
| 0-60 | 680.8 | N/A | 97.9% |
| 0-90 | 695.2 | N/A | 100.0% |
| 90-180 | 0.0 | N/A | 0.0% |
| 0-180 | 695.2 | N/A | 100.0% |

Testing was performed in accordance with IES LM-79-08 in a caliper certified laboratory

LEDLS-765-NFL-15

Lumen output: 657
Wattage: 15
Efficacy: 48.06 lpw
Beam Spread: 32°
CRI: 75
CCT: 6500 K
CBCP: 2,012
LTL Test Report# 15517



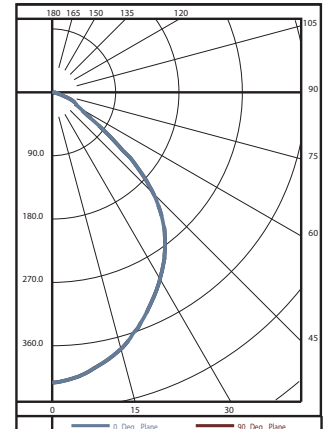
Zonal Lumen Summary

| Zone | Lumens | % of Lamp | % of Luminaire |
|--------|--------|-----------|----------------|
| 0-30 | 539.7 | N/A | 82.1% |
| 0-40 | 586.8 | N/A | 89.3% |
| 0-60 | 635.3 | N/A | 96.6% |
| 0-90 | 657.4 | N/A | 100.0% |
| 90-180 | 0.0 | N/A | 0.0% |
| 0-180 | 657.4 | N/A | 100.0% |

Testing was performed in accordance with IES LM-79-08 in a caliper certified laboratory

LEDLS-765-VFL-15

Lumen output: 749
Wattage: 14
Efficacy: 51.83 lpw
Beam Spread: 120°
CRI: 75
CCT: 6500 K
CBCP: 412
LTL Test Report# 15518



Zonal Lumen Summary

| Zone | Lumens | % of Lamp | % of Luminaire |
|--------|--------|-----------|----------------|
| 0-30 | 296.9 | N/A | 39.6% |
| 0-40 | 470.7 | N/A | 62.8% |
| 0-60 | 696.7 | N/A | 93.0% |
| 0-90 | 749.0 | N/A | 100.0% |
| 90-180 | 0.0 | N/A | 0.0% |
| 0-180 | 749.0 | N/A | 100.0% |

Testing was performed in accordance with IES LM-79-08 in a caliper certified laboratory

TYPE:

ORDERING CODE:

APPROVAL:

JOB:

DATE:

SPECIFICATIONS

LEDLS-SLPFTR-BLT

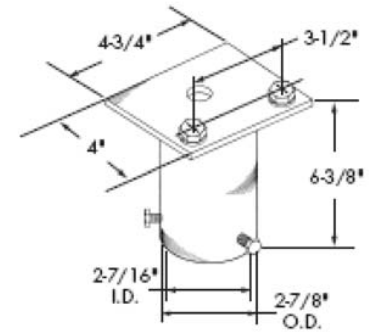
Application: For mounting yoke type Floodlight to 2-3/8" tenon

Material: Steel

Finish: Bronze

Weight: 3 lbs 5 oz

Mounting hardware included



LEDLS-SLPFTR-BLT

LEDLS-SLPFTR-NPT

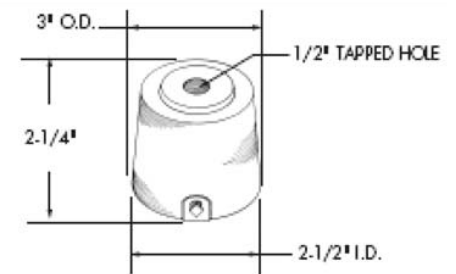
Application: For mounting small yoke type Floodlight to 2-3/8" tenon

Material: Die cast aluminum

Finish: Bronze

Weight: 9 oz

Mounting hardware included



LEDLS-SLPFTR-NPT

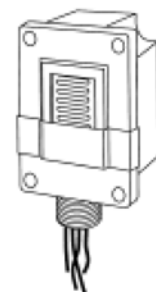
LEDLS-PHTSNSR

Material: Die case aluminum with plastic lens cover

Weight: 7 oz

Application: Field installed photo control with 1/2" pipe nipple

Input Voltage: 120V, 208V, 240V, 277V



LEDLS-PHTSNSR

LED LandScape Accessories

Ordering Guide

| Model | Product | Mounting* |
|-------|----------------------------|--|
| LEDLS | SLPFTR Pole Top Slipfitter | NPT w/ 1/2" tapped holes BLT w/ plate and double mounting bolts |
| | PHTSNSR Photo Sensor | |

* Mounting applies to slipfitter only

TYPE:
JOB:

ORDERING CODE:

APPROVAL:
DATE:

SPECIFICATIONS

LEDLS-Visor

Application: For mounting on Landscape lights to reduce glare

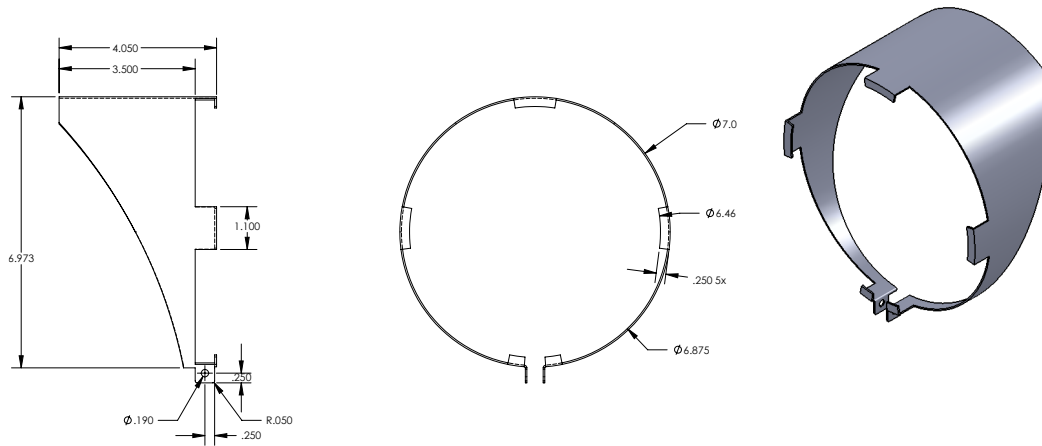
Material: Aluminum 356, die-cut

Finish: Bronze or architectural black

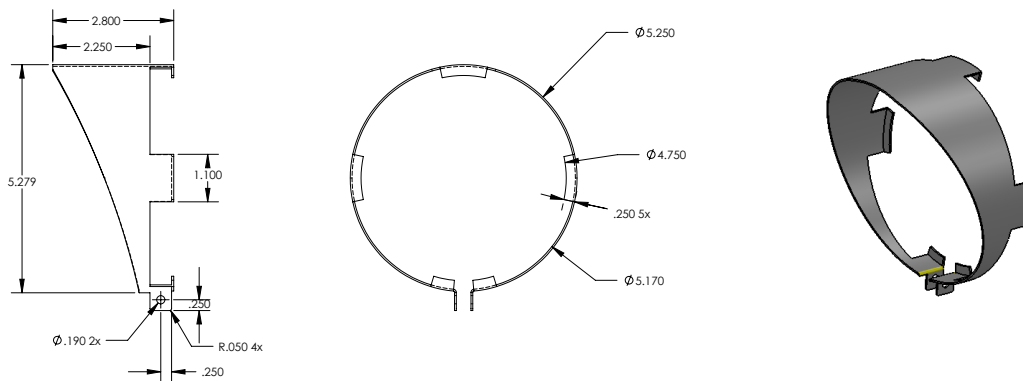
Weight: 0.5Lbs for Large; 0.2Lbs for Small

Mounting hardware included

LARGE



SMALL



| Model | Product | Size | Color |
|-------|----------|----------------------|---|
| LEDLS | VS Visor | LG Large SM Small | AB Architectural Bronze BK Gloss Black |