

TYPE:

ORDERING CODE:

APPROVAL:

JOB:

DATE:

**SPECIFICATIONS**

**FIXTURE:**

**Overall dimensions:** 52" (L) x 6.7" (W) x 3.79" (H) (1320mm x 169mm x 96mm)

**Housing:** Gray Polycarbonate

**Lens:** Clear polycarbonate, enclosed

**Finish:** White powder coat

**Fasteners:** Stainless steel lens clips

**Electrical Connection:** Standard hardwire

**Lamp configuration:** Available for 2, 3 and 4 LED light tubes

**LED / Ballast Field Replacement:** Yes, LED light tube with integrated ballast

**Driver:** on board

**Beam Spread:** 114°

**UL / IP Rating:** Fixture is UL listed; IP65 rated



**LAMP:**

**Lumen output:** 1140 lm

**Wattage:** 17W

**Efficacy:** 67.06 lpw

**Center Beam Candle Power:** 292

**Overall dimensions:** 48"

**Connection:** Medium Bi-Pin; direct retrofit for T8 and T12 lamps

**Input Voltage:** 90-277VAC, 50/60Hz, 0.6A

**Ballast:** Integrated

**Lumen Maintenance:** 98% of 2,000 hrs

**Available Colors:** Cool White, Pure White, Warm White, Amber White

**Lamp Life:** 50,000 hours

**Operating Environment:** -40°F to 131°F

**UL / IP Rating:** UL listed

TYPE:

ORDERING CODE:

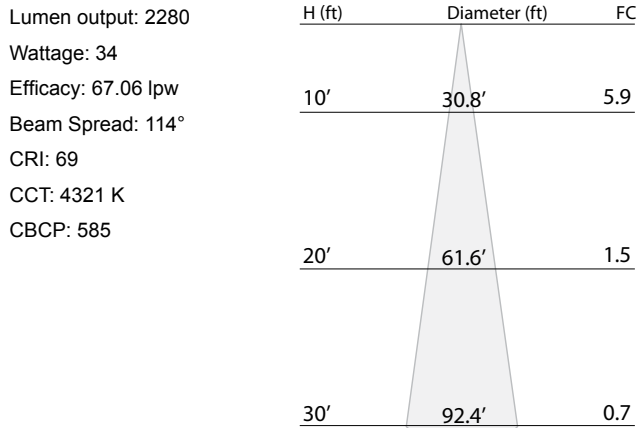
APPROVAL:

JOB:

DATE:

**SPECIFICATIONS**

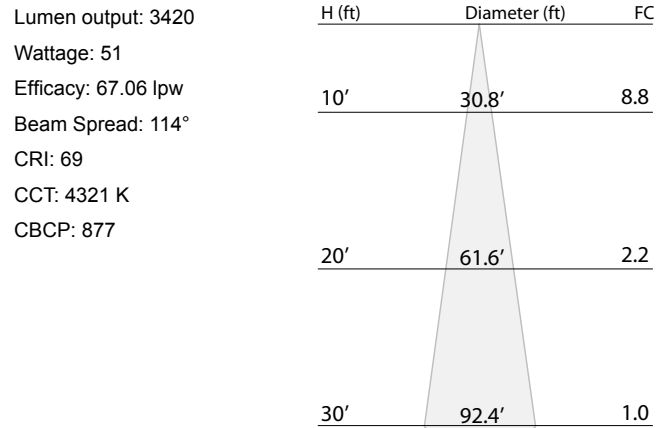
**LED Parking Garage 2 lamp**



**Zonal Lumen Summary**

Zone	Lumens	% of Lamp	% of Luminaire
0-30	673	29.5%	29.5%
0-40	1067	46.8%	46.8%
0-60	1802	79.0%	79.0%
0-90	2257	99.0%	99.0%
90-180	53	2.4%	2.4%
0-180	2280	100.0%	100.0%

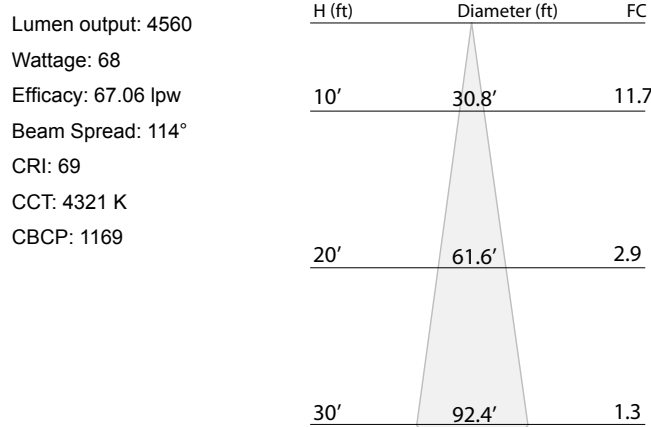
**LED Parking Garage 3 lamp**



**Zonal Lumen Summary**

Zone	Lumens	% of Lamp	% of Luminaire
0-30	1010	29.5%	29.5%
0-40	1600	46.8%	46.8%
0-60	2703	79.0%	79.0%
0-90	3386	99.0%	99.0%
90-180	80	2.4%	2.4%
0-180	3420	100.0%	100.0%

**LED Parking Garage 4 lamp**



**Zonal Lumen Summary**

Zone	Lumens	% of Lamp	% of Luminaire
0-30	134	90.0%	90.0%
0-40	2134	97.7%	97.7%
0-60	3604	100.0%	100.0%
0-90	4515	100.0%	100.0%
90-180	107	0.0%	0.0%
0-180	4560	100.0%	100.0%

\* Output data is based on 4,000K lamp, 3 LED tubes in one fixture.