

TYPE:

ORDERING GUIDE:

APPROVAL:

JOB:

|____ - |____ - |____ - |____

DATE:

SPECIFICATIONS

SYSTEM SPECIFICATIONS:

Input Voltage: 12V DC

Start-up Load: 12V at 2.2 Amps

Continuous Load: 12V at 1.1 Amps

Cooling: Fanless

Power: 18 Watt, maximum

BALLAST SPECIFICATION:

Type: Electronic ballast

Warm up time: Instant on

Restrike Delay: None

dB Rating: 0 dB

Thermal output: 61 BTU/Hr max

OPERATING ENVIRONMENT:

Max Exposure Rating: Wet Location, IP 67

Ambient Temperature: -25C to 45C

Storage Temperature: -40C to 85C

Min. Space requirement: 8 cubic feet

PHYSICAL CHARACTERISTICS:

Material/Finish: Aluminum, anodized black finish

Dimensions: 1.969" (W) x 5.039" (L) x 2.677" (H)

Weight: 1.6 Lbs

LAMP SPECIFICATION:

Lamp Type: 9-chip 3-Channel LED array

Rated Life: 50,000 hours

Color option: RGB (64 mio colors); Solid white 2800K, 4000K, 6500K (dimnable);

Tunable white (2700K – 7500K)

FIBER CAPACITY:

Port Size: 12mm or 19mm

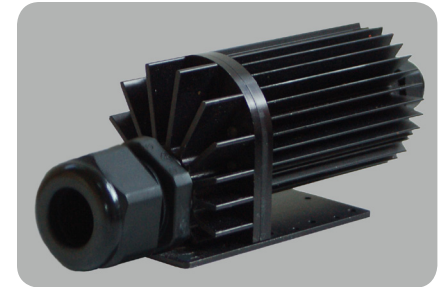
Stranded fiber: Up to 500 fibers @ 0.75mm

Large Core fiber: 12mm

Porting: Custom e-Luminator port kits LE-PORT-12LF for large core and LE-PORT-12SF for 100-200 fibers and LE-PORT-19SF for 201 to 500 fibers @ 0.75mm PMMA fiber.

Mounting: Mounting plate attached.

Affix vertical, horizontal or inverted onto wood, masonry, drywall or metal.



OPTIONS:

DMX: All units are DMX ready with XLR connector and come supplied with LightMix Software CD and USB cable. DMX mixer is not included

Connection: DMX signal is applied vial RJ45 cable jack. Optional XLR Adapter available (LE-RL45-XLR3-ADPTR)

Output data RGB

Color	Typical Flux (lm)
White	300
Red	60
Green	200
Blue	40

Output data White only

Color	CCT Range (K)	Minimum CRI	Flux (lm)
Cool	5500-7500	70	350
Neutral	3500-4500	70	280
Warm	2500-3300	70	220

Optical Performance at 20°C

Preprogrammed Settings

Mode	RGB Color	Tunable White Color Temp.
1	Red	2700
2	Green	3000
3	Blue	3500
4	Cyan	4000
5	Yellow	4500
6	Magenta	5000
7	White	5500
8	Rainbow*	6000
9	Custom	6500
10	Custom	7000
11	Custom	7500
12	Off	OFF

* Rainbow mode can be overwritten

TYPE:

ORDERING GUIDE:

APPROVAL:

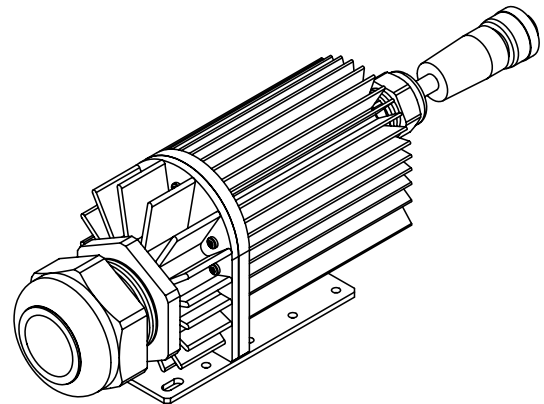
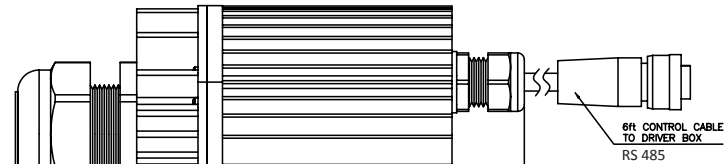
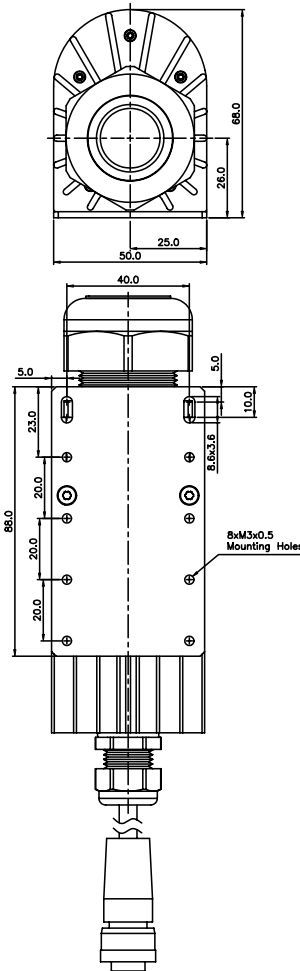
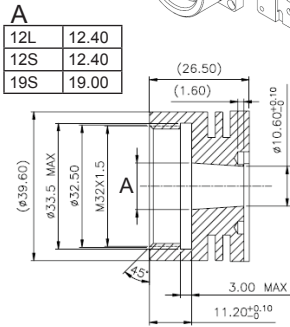
JOB:

_____ - _____ - _____ - _____

DATE:

SPECIFICATIONS

End Cap



LED e-Luminator

Ordering Guide

Device Type

- LESI** Standard Indoor
- LESX** Standard Outdoor
- LEFI** Fanless Indoor
- LEFX** Fanless Outdoor

Color Distribution

- M99** Multi-Color (RGB)
- W28** Warm White 2800K
- W40** Neutral White 4000K
- W65** Cool White 6500K
- W00** Tunable White 2700K-7500K

End Cap Options

- 12L** Large Core Fiber
- 12S** Standed Fiber Up to 200 at 0.75mm
- 19S** Standed Fiber 201-500 at 0.75mm

Power Management

- PA** Power Adapter 100-240V Portable, Indoor
- PH** Power Adapter 100-277V Hardwire, Indoor
- PX** Power Adapter 100-240V Portable, Outdoor Rated
- PW** Power Adapter 100-277V Hardwire, Wet Outdoor Rated
- NA** 12V DC with 3ft. Tail P5 Connector No Power Supply

TYPE:

ORDERING GUIDE:

APPROVAL:

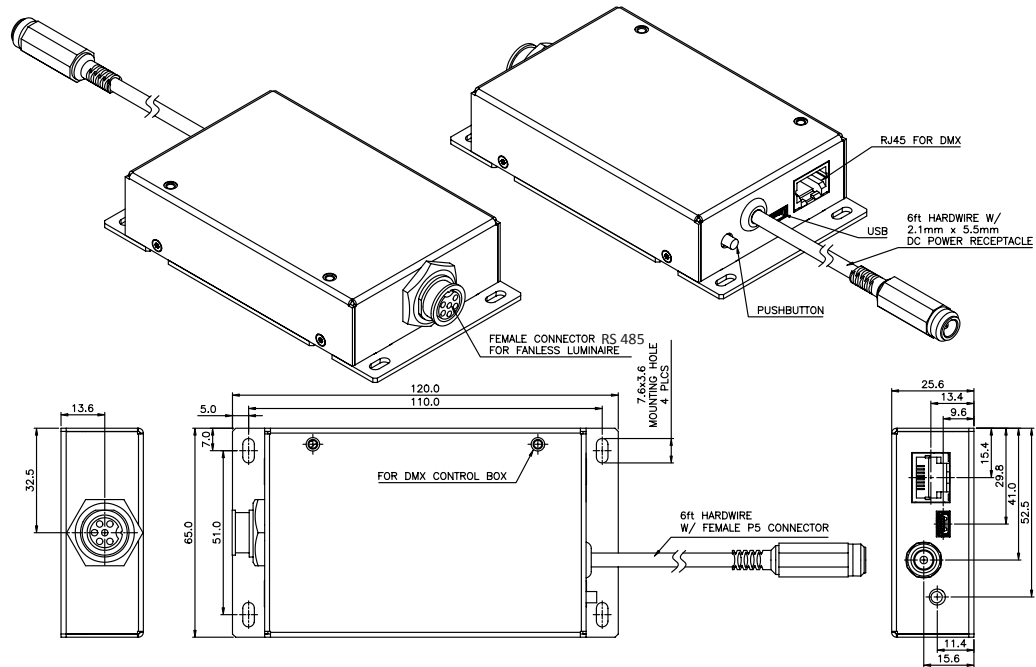
JOB:

_____ - _____ - _____ - _____

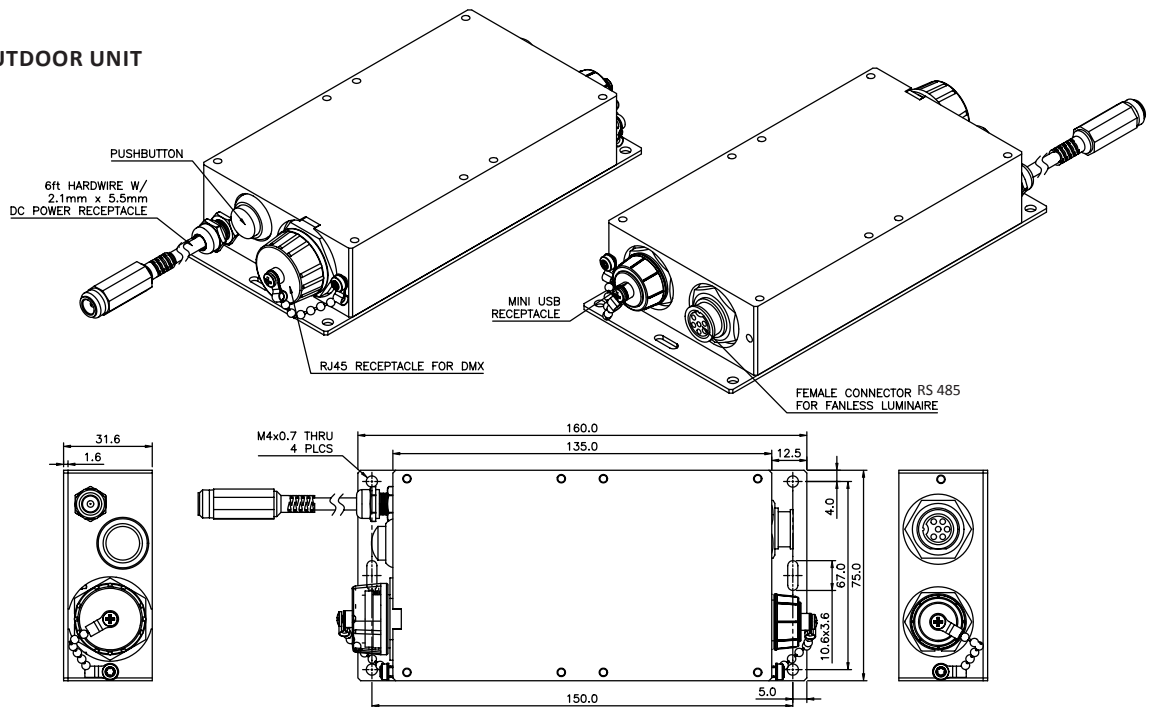
DATE:

SPECIFICATIONS

CONTROL BOX: INDOOR UNIT



CONTROL BOX: OUTDOOR UNIT



TYPE:

ORDERING GUIDE:

APPROVAL:

JOB:

|____ - |____ - |____ - |____

DATE:

SPECIFICATIONS

PORTABLE POWER SUPPLY FOR FANLESS UNITS

SYSTEM SPECIFICATIONS:

Size: 3.1" (L) x 2.1" (W) x 1.3" (H)

Weight: 6.6 oz

Input Min: 100VAC

Input Max: 240VAC

Frequency: 50 / 60HZ

Output Voltage: 12v DC

Output Current: 1.5A

Output Max: 18W

Output connector: P5 male connector

Output cord length: 6'

Input Connector: Standard NEMA 1-15 plug

CERTIFICATIONS:

UL: Yes - Listed

CUL: Yes

CE: Yes

FCC: Yes

OPERATING ENVIRONMENT:

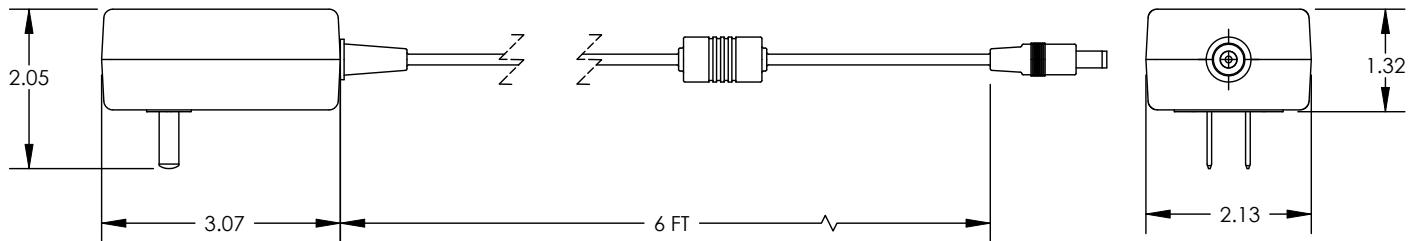
Max exposure rating: Dry locations only

Operating Temp: 0 to 50°C

Storage Temp: -20° to 85°C

Efficiency: 74%

e-Luminator use: LEFI, LEFX



HARDWARE INDOOR AND OUTDOOR

GENERAL SPECIFICATIONS

Material: Rugged Rain-Proof Aluminum Extruded Case

Isolation Voltage: 3000V AC

Switching Frequency: 75K Hz

Weight: 1.3 Kg (2.86lbs.) max.

MTBF: 100,000 Hours at 25° C

SAFETY CERTIFICATIONS

UL: UL60950-1, UL8750, UL935, Class II certified

TUV: EN60950-1, IP65

CE: Yes

ELECTRICAL SPECIFICATIONS

INPUT

Input Voltage Range: 90 - 277Vac

Frequency: 47 - 63Hz

Input Current: max. 1.3A@115Vac/60Hz,full load

Inrush Current: 60A @230Vac input/60Hz,full load

Efficiency: ≥85% typ.@full load, input 230Vac

Power Factor: ≥0.95 at full load 115Vac

OUTPUT

Output Voltage: 12 VDC

Output Voltage Adjustment: -20% ~ +10%

Leakage Current: 0.2mA @110Vac,0.4mA @230Vac

Low Ripple & Noise Voltage: < 1% V output

Over Voltage Protection: <130% nominal voltage

Max. Output Power: 60W

Short Circuit Protection: Shutdown & Auto Recovery.

OTP Protection: 85°C ± 5°C @ Ambient Temp.

Start-up time: < 2 sec.

ENVIRONMENTAL SPECIFICATIONS

Max Exposure Rating: Dry or damp, outdoor wet with proper enclosure and approved connectors

Operating Temp.: -30°C to +70°C full load

Derating Temp.: 50% at +80°C

Storage Temp.: -40°C to +85°C

Relative Humidity: 5% to 95% (non-condensing)

Enclosure: Outside case sealed per IP65

Cooling: Convection

RoHS: Compliant

