

TrackLight Family

Impulse T4



The Energy Focus Impulse T4 TrackLight is the most energy efficient fixture in its family. This ceramic metal halide lamp is extremely compact with powerhouse capabilities for accenting all your merchandise. The electronic ballast is molded into the housing for optimum lamp performance, superb heat transfer and long life. In addition the Impulse T4 offers optional gold reflectors which provide a warm beam of light. All reflectors are field changeable without tools to further reduce your maintenance costs which results in a better bottom line.

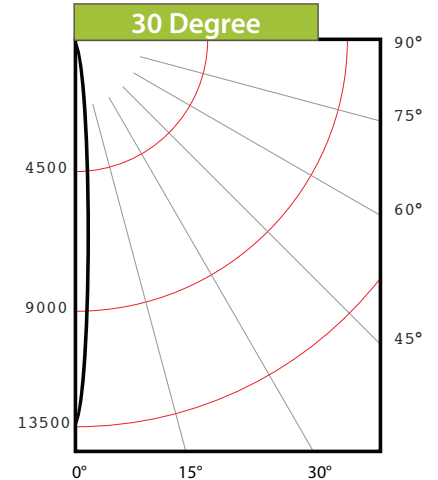
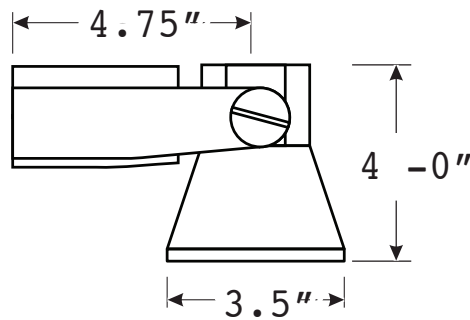
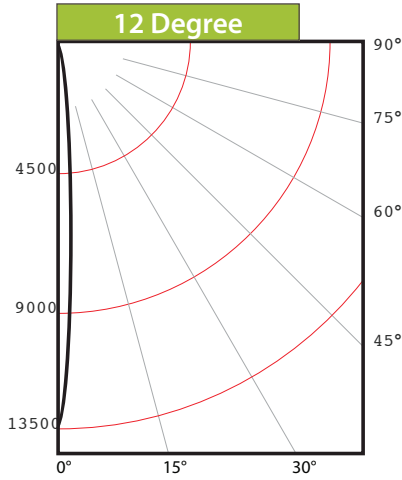
FEATURES

- Efficient and stylish track light solution
- Available with 12° or 30° beam spreads
- Full 358° rotation with locking yoke
- Die cast aluminum throughout with textured powder coating
- Standard in Black, White or Silver Gray with other colors available by special order
- Retrofit to standard tracks such as Halo, Juno, Lightolier or Nordic track
- Locks in place for best stability and easy adjustability
- UL listed for damp locations, NEMA type 1

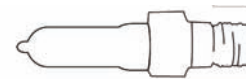


How much can you save with Energy Focus?

Visit www.energyfocusinc.com to use our Energy Savings Calculator



Our Metal Halide bulbs offer a clean crisp light that is great for safely accenting perishables and highlighting your important items. Metal Halide Lamps last five times longer than regular Incandescent bulbs and are up to three times more efficient than halogen lamps.



T4



FIXTURE ORDER CODE: Fixtures do not include a lamp. Lamp must be ordered separately.

Example: IM-T4-020-12-B-3D-S

| Device Type | Lamp Type | Wattage | Beam Spread | Fixture Color | Adapter | Accessory |
|--------------|-----------|---------------|---------------------------------|---|--|--|
| IM - Impulse | T4 - T4 | 020 - 20 Watt | 12 - 12 degree 30 - 30degree | B - Black W - White S - Silver Gray | 1J - Single circuit; 120V; Juno 1H - Single circuit; 120V; Halo 1C - Single circuit; 120V; Capri 2J - Two circuits; 120V; Juno 2H - Two circuits; 120V; Halo 2C - Two circuits; 120V; Capri 3D - Three circuits; 120V 3I - Three circuits; 240V 3P - Three circuits; 277V 4D - Two circuits/Two neutral; 120V 4I - Two circuits/Two neutral; 240V 4P - Two circuits/Two neutral; 277V | S - Standard Silver Reflector G - Gold Tint Reflector |

LAMP ORDER CODE: Example: IM-T4L-020-27

| Device Type | Lamp Type | Wattage | CCT |
|--------------|-----------|---------------|--|
| IM - Impulse | T4L - T4 | 020 - 20 Watt | 27 - 2700K 30 - 3000K 35 - 3500K |

